

“The DockSider” Mounting Options

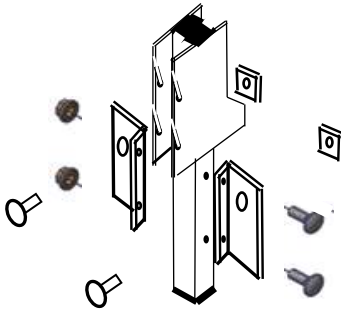
DockCraft Industries Beach King Mount for “The DockSider”

- Kayak, SUP, and Canoe Lift and Dock Storage Rack –

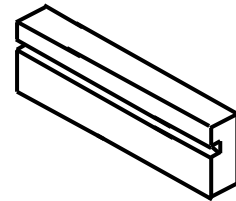
An additional mounting option for the DockSider Lift and Dock Storage Rack

Beach King Docks with Adapter Track

With the Purchase the Series 400 Beach King Mount
With your Lift and Dock Storage Rack



You have the Beach King Dock
with the adapter track



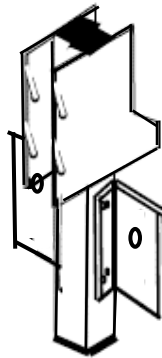
You get the mount, mounting angles and Hardware
Qty 2 sets

Hardware

¼ -20 x 1 5/8 Stainless Steel Screws and Flange nuts

½ - 13 x 1 ¼ Stainless Steel Screws and ½ Brass Square Nuts

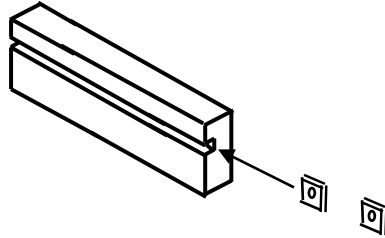
With the hardware provided (1/4 – 20 Screws and Flange Nuts) mount the mounting angles to the Mount.



“The DockSider” Mounting Options

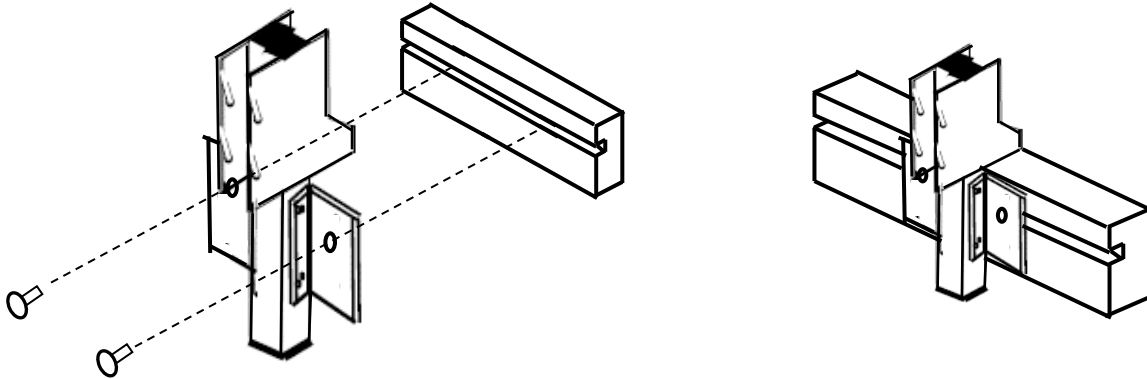
DockCraft Industries Beach King Mount for “The DockSider”
- Kayak, SUP, and Canoe Lift and Dock Storage Rack –
continued

Then slide the square nuts into the adapter track



Align the Nuts with the mounting holes in the mount

Then Loosely secure with Screws



Install 2nd mount as above

Align mounts on Beach King Side Rail as follows in desired Mounting location

