

# “The DockSider”™

Patented

## Assembly, Installation, Setup, and Operating Instruction

OM CR 100 – 7-11-2021



## - Canoe Rack Bolt On Model; Series 100 -

- Holds Canoes up to 100 pounds.
- For Docks with Wood or Composite Wood Decking.
- Docks with Aluminum or Vinyl Decking need added support
- Designed for standard dock decking thickness of up to 1 ½ inches.
- Tools are required (Drill with 1/2 drill bit) for initial installation

**Some  
Assembly  
Required**

### A Canoe Lift and Dock Storage Rack

#### Model CR 100 - Bolt On Mount

- Holds your Canoe 5 to 17 inches below the dock surface.
- Includes a Pulley System which reduces the Pull required to Lift
- Accommodates Freeboard (Dock Surface to Water Level) height up to 36 inches.

**Please read these instructions carefully before using this product and save this manual for future use.**

For assistance, please call: 585 – 734 – 7374

Or send email to: [info@DockCraft.com](mailto:info@DockCraft.com)

**DockCraft Industries LLC  
3694 Nibawauka Beach  
Canandaigua, New York 14424**

Page 1 of 15

# Table of Contents

	Page
“The DockSider”™	
○ Safeguards	2
○ Warranty	3
○ Part List	3
○ Assembly Instructions	4
○ Installation – CR 100	7
○ Setup	8
○ Operation	11
○ Bolt On Mount Dock Configuration Guide (Reference – Read first)	13

## IMPORTANT SAFEGUARDS

1. READ ALL INSTRUCTIONS BEFORE USING THE “The DockSider”™.
2. The intended use of the product is to store a Canoe on the side of a boat dock. Do not use this product for other than its intended use.
3. The maximum weight of Canoe to be racked in “The DockSider”™ shall not exceed 100 pounds.
4. “The DockSider”™ Stainless Steel Model is best for Salt Water applications.
5. Canoes should not contain more than one quarter inch (1/4”) of water inside when storing in the “The DockSider”™. Product Damage could result to the “The DockSider”™, if this is not followed the Warranty will be voided. If your Canoe contains excess amounts of water (capsized or other), roll canoe over to empty.
6. To ensure proper use, do not attempt to modify this product in any manner. Please refer to the manual if questions arise.
7. If further assistance is needed, please contact DockCraft Industries prior to use.
8. Do not allow children or adults to lean on, play on, around, or with the “The DockSider”™ while a Canoe is loaded or unloaded. Serious injury or damage to product, docks, and people could result if this warning is not followed.
9. Store only one Canoe in “The DockSider”™.
10. If the DockSider is not working properly, please contact DockCraft Industries immediately for assistance.
11. Do not enter or exit your Canoe when your Canoe is engaged within “The DockSider” ; in the loading or storage position.
12. Do not install your Canoe Storage Rack such that “The DockSider” is near or in contact with any electrical or Dock Structural components.

## Limited Warranty

### **What does your warranty cover?**

- Any defect in materials or workmanship when used for the intended purpose of storing kayaks on the side of a boat dock under normal use and conditions.
- The warranty is limited to the original purchaser.

### **For how long after the original purchase?**

- One year

### **What will we do?**

- Provide you with a replacement part at no charge for any part found defective in materials or workmanship.

### **How do you make a warranty claim?**

- Please contact DockCraft Industries for a Return Material Authorization (RMA) number before returning items. A shipping address will be provided at that time.

### **What does your warranty not cover?**

- Damage from failures that occur as a result of improper assembly, failure to properly adjust and operate, misuse or neglect of product's intended purpose.
- Product which has been modified in any manner.
- Safeguards are not followed
- The warranty is not valid if you are not the original purchaser.
- Cosmetic defects

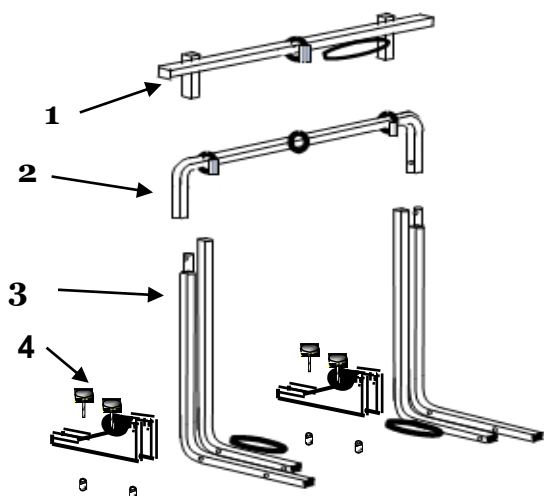
## **“The DockSider”™ PARTS LIST – Canoe Lift & Storage Rack; Series 200**

Remove all parts from the box and remove the dock mount from the pivot lateral by unwrapping the stretch wrap.

If any parts are missing from the package (in type or quantity), do not assemble and contact DockCraft Industries immediately.

### **Model CR200 –**

#### **Parts Diagram**



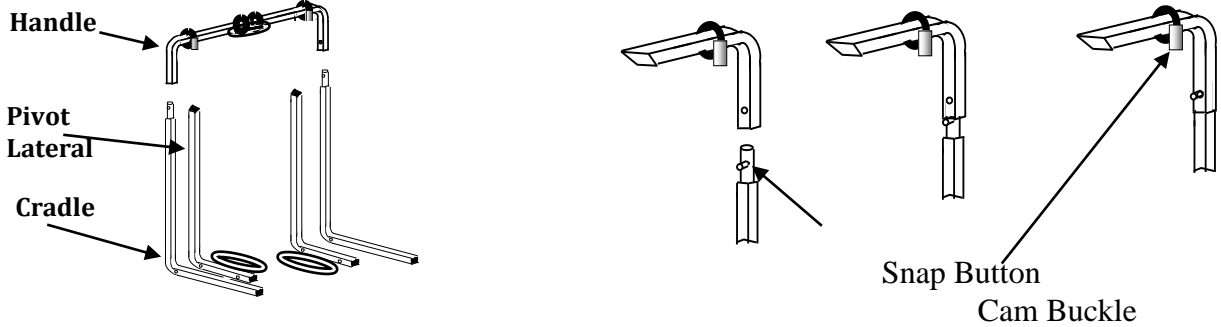
- 1 – Canoe Lifting Assembly**
- 2 - Handle Assembly (1)**
- 3 - Pivot Lateral Cradle Assembly (2)**
- 4 – Bolt On Dock Mount Assembly (2)**
- 5 – Hardware Kit**

# Assembly Instructions

## Attach Cradle Handle :

- 1 - Position Handle over Cradle.
- 2 - Slide the Handle over extension on Cradle.
- 3 - Depress Snap Button on Cradle.
- 4 - Seat Handle until Snap Button pops through the Handle hole.
- 5 - Repeat process for the other side Cradle.

## Steps 1 – 4

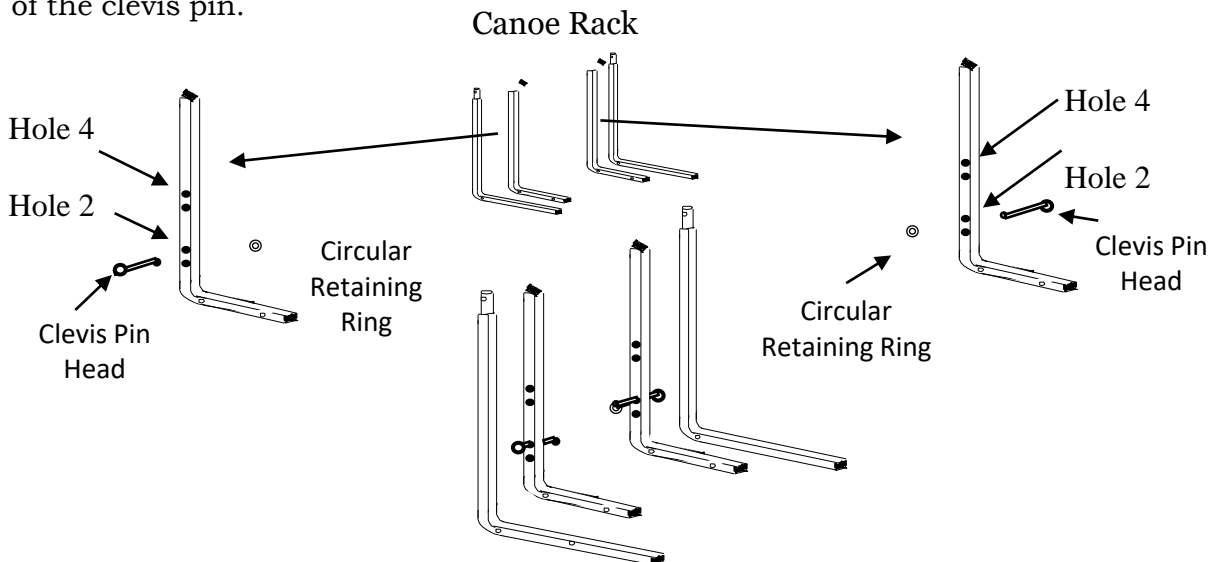


## Canoe Rack

- Notes -** Lifting Straps are on the inside  
Canoe Rack – Shorter Legs on the inside

## Insert Clevis Pins and Retaining Rings on Pivot Lateral:

- 6 – If the Water Level is 10 to 25 inches below your Dock Decking -  
Insert Clevis Pin through Hole 2 in Pivot Lateral such that the head is between the Pivot Lateral and Cradle, attach circular retaining ring through the hole in the end of the clevis pin.
- 7 – If the Water Level is 25 inches or greater from the Dock Decking –  
Insert Clevis Pin through Hole 4 in Pivot Lateral such that the head is between the Pivot Lateral and Cradle, attach circular retaining ring through the hole in the end of the clevis pin.



## Assembly Instructions - continued

### Thread Webbing through Cam Buckle :

8 – Obtain one of the Cam Buckles and Depress Lever

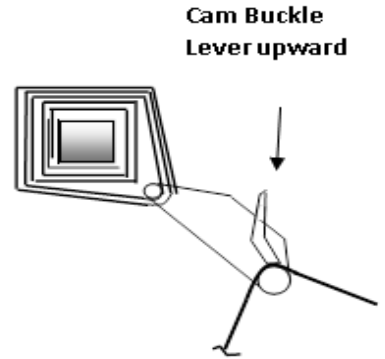
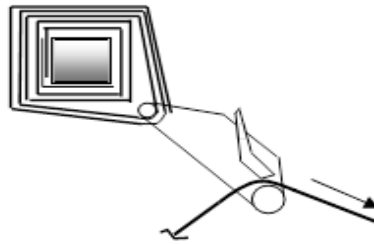
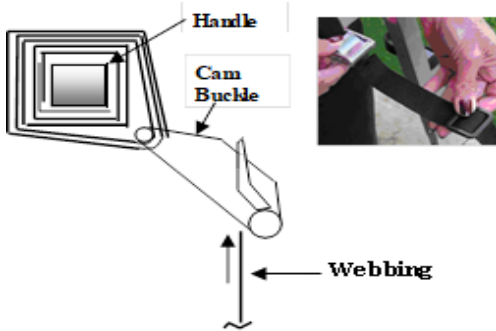
9 – Thread Webbing through opening in the Cam Buckle

Ensure that the Single Bar on the Web Keeper is positioned as shown.

10 – Pull webbing through the Cam Buckle until the pre-marked line is in position with the cam buckle.

11 – Repeat Steps 6 – 8 to thread the webbing through the other Cam Buckle.

### Steps 8 - 11



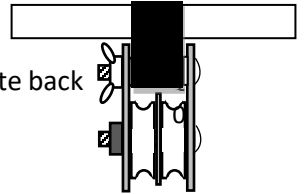
### Assemble the Lifting Assembly to the Rack Assembly

Start by assembling the pulley to the webbing strap in the middle of the lifting assembly:

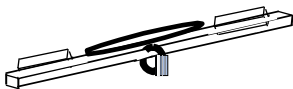
Remove the wing nut and push the screw so that it clears the side plate,

Rotate the side plate such that the nylon spacer and screw is exposed.

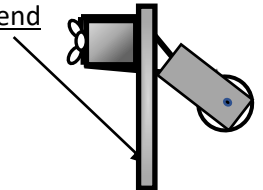
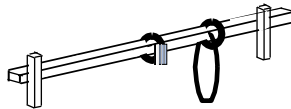
Slide the round spacer behind the webbing strap on the cross bar. Rotate the side plate back in position, push the screw through the hole and secure with the wing nut.



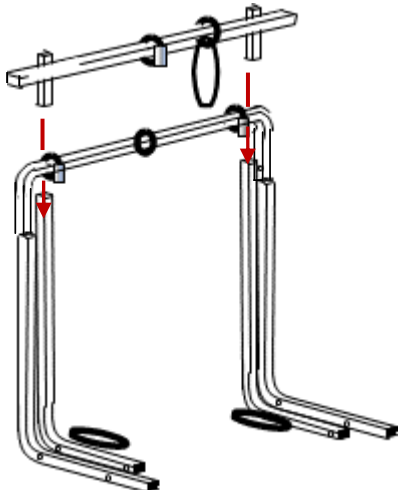
Remove mini wrap and rotate channels as shown



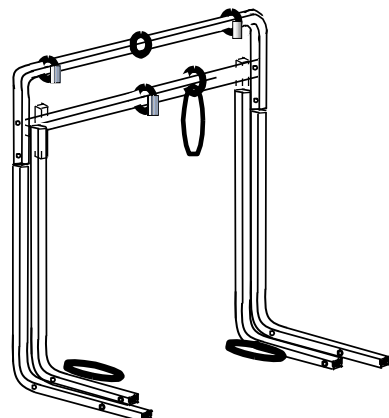
Snap buttons on this end



Align Lifting Assembly with Pivot Laterals,  
depress Snap Buttons and seat



Completed Assembly

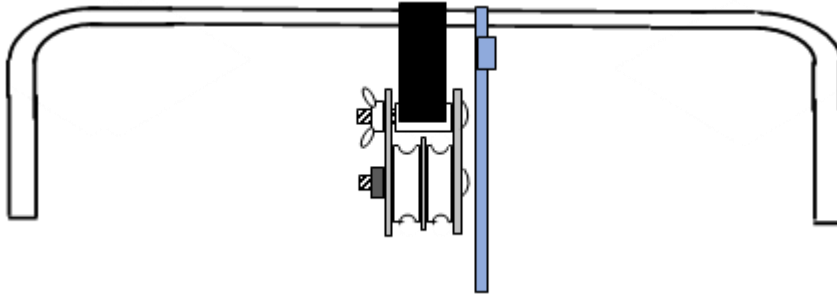


## Assembly Instructions – continued

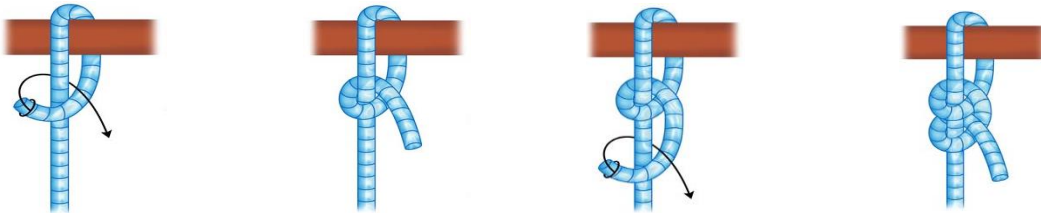
**Attach the rope to the Pulley System. This Can be done now or after the unit is assembled to the dock.**

Get the rope and tie two half knot next to the pulley assembly on the cradle handle.

The knot should be on the side of the pulley handle that has the head of the screw mounting the pulleys.



### Tying two half hitches



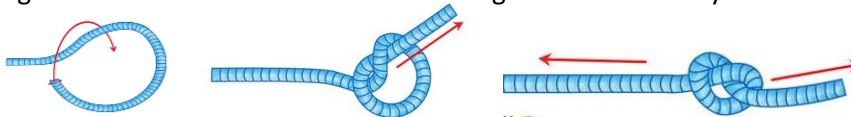
Wrap the rope  
Around the cradle handle

Pass the end  
Through the loop

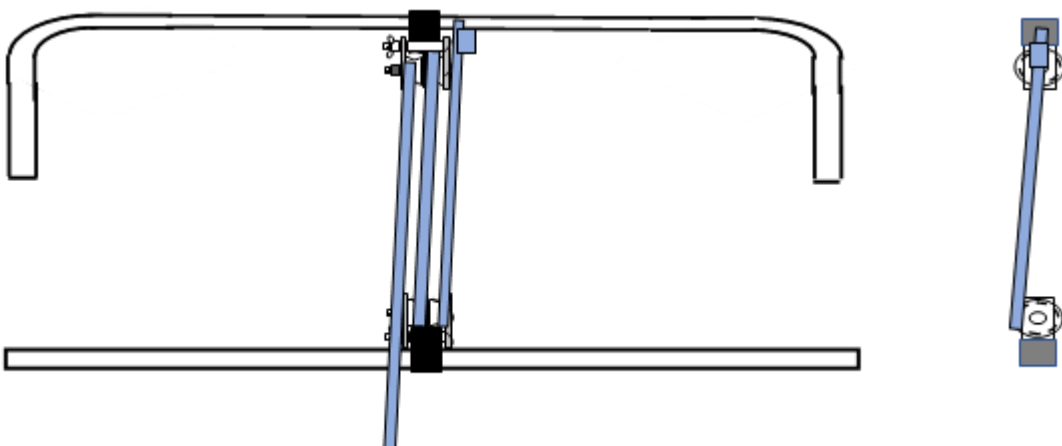
Wrap it around  
the standing part

Tighten to  
Complete

Tying a overhand knot on the loose end will give added security.



### Thread the Pulleys



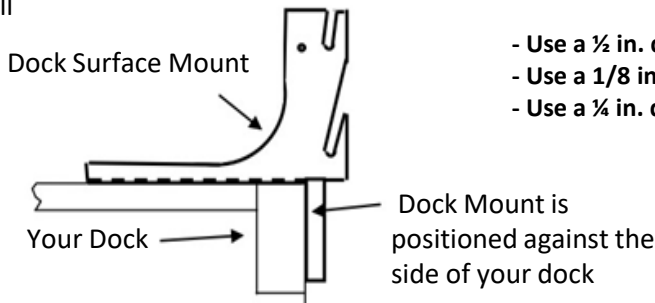
Slide knot next to pulleys, and thread Rope should be on top of pulley on Lifting Structure side,  
When complete, coil the rope and secure it to the Lifting Structure with the Velcro strap.



# Installation Procedure for Your - Series 100 Docksider

## Series 100 – Bolt On Dock Mount Installation

- 1 - Select a position on your dock where you choose to mount your Kayak Storage Rack.  
Ensure there are not any electrical or structural components in the area.
- 2 - The Docksider should be mounted on 1 section of your dock.
- 3 - Make sure the wood on your dock is solid (not cracked or rotting) at the installation position.
- 4 - Ensure there are no obstructions above or below your dock.
- 5 - Place one Dock Mount on your Dock and position as shown below
- 6 - Install

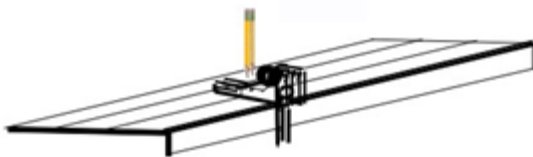


### Note:

- Use a ½ in. diameter drill for hardware provided
- Use a 1/8 in. diameter drill for pilot for ¼ lag bolts
- Use a ¼ in. diameter drill for ¼ machine screws and nuts

### Note:

If you have a wooden structure under your decking at the 2 ¼ inch location, you may want to consider using a lag bolt.



At the install position align Dock Mount as shown above  
With a pencil scribe the hole locations (2) on dock surface  
While the dock mount is positioned as shown above



Drill ½ diameter holes through Dock Decking Surface  
Ensure there are not any electrical or structural components near the hole you are drilling. Also check 26 to 32 inches away where you will mount the second Dock Surface Mount

## Install the TOGGLER® brand SNAPTOGGLE® anchor \*



Hold metal channel flat alongside plastic straps and slide channel through hole. Minimum clearance behind wall: 1-7/8"

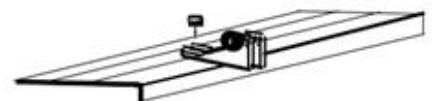


Hold ends of straps between thumb and forefinger and pull toward you until channel rests flush behind decking. Slide plastic cap along straps with other hand until flange of cap is flush with decking.



Snap straps at wall by pushing side to side, snapping off straps level with flange of cap.

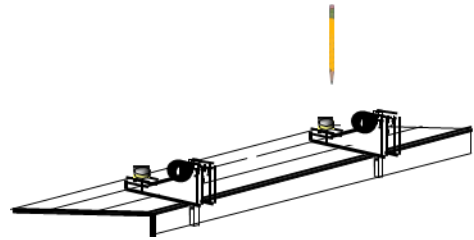
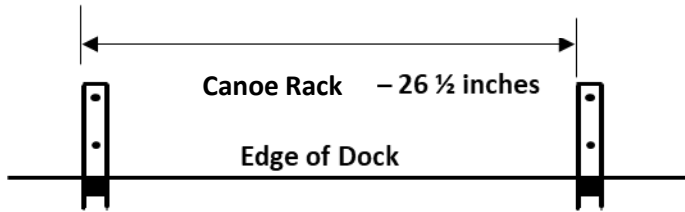
## Secure Surface Mount to Dock



Secure Dock Surface Mount with washers and ¼ - 20 screws provided (2)  
Use 7/16 wrench or socket.

## **Installation** - Continued

7 –Similarly to Step #6, Mount the second Dock Mount



Position the second dock mount as shown above

Mark and drill as described in Step 6

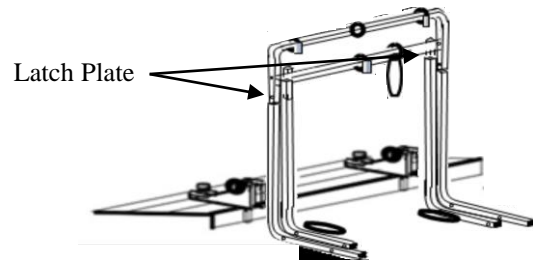
Install Snapstogglers and secure mount to dock with screws.

Align Cradle Assembly with the installed Dock Mounts

Engage the pins on the Pivot Laterals in top slot of the Dock Mounts and seat.

Note, rotate the Latch Plates, to prevent the cradle from rotating into the water.

CR 100



**Installation is Complete and you are now ready for the Final Adjustments**

## **SETUP of "The DockSider"™**

Now that the installation is complete, it is now time to SETUP your Kayak Rack to "fit" your Kayak.

### **Kayak Storage Rack to Water Level Adjustment:**

If the distance to the water from the dock decking is:

10 to 22 inches: insert clevis pin in 2nd hole of the pivot lateral into the top Slot of the mounting bracket.

17 to 29 inches: insert clevis pin in 2nd hole of the pivot lateral into the bottom Slot of the mounting bracket

20 to 31 inches: insert clevis pin in the 4th hole of the pivot lateral into the top Slot of the mounting bracket

25 to 37 inches: insert clevis pin in 4th hole of the pivot lateral into the bottom Slot of the mounting bracket

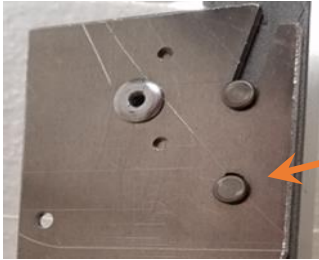
Adjust if required - up or down - based on your specific watercraft or if your water level changes significantly throughout the season.



## SETUP of "The DockSider"™ - continued

To "Lock" the Brackets and Pivot Laterals together insert "Locking Pin" on both sides of unit.

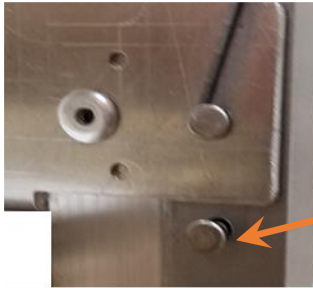
If Clevis Pin with Circular Retaining Ring in Hole 2 or 4 of Pivot Lateral is seated in the Top Slot.



Insert 2<sup>nd</sup> Clevis Pin through hole in bracket  
and secure with  
"R" Retaining Clip on opposite side.



If Clevis Pin with Circular Retaining Ring in Hole 2 or 4 of Pivot Lateral is seated in the Bottom Slot



Insert 2<sup>nd</sup> Clevis Pin through hole in bracket  
and secure with  
"R" Retaining Clip on opposite side.



### Webbing Length Adjustment :

On page 3 you set the webbing mark at the cam buckle.

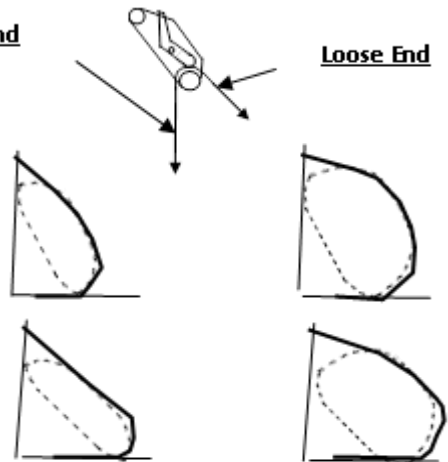
This setting is a nominal setting for kayaks with a width of 27 to 29 inches. Based on the width and contour of your kayak, this setting may vary.

**This setting has 2 purposes:**

- 1 – To accommodate the size and contour of your Kayak
- 2 – To allow your Kayak to sit at an angle to minimize rain entering the Kayak and therefore collect in the cockpit

Kayak End

Loose End



- 3 – Load your Kayak into your rack and rotate to the Kayak Storage Position by:
  - a: Rotating the Cradle toward the water such that the handle is parallel with the water. With the Dockside Operation model do this using the tether strap. With the Waterside Operation model do this by standing in the water and centered on your rack, grasping the handle and rotating toward you.

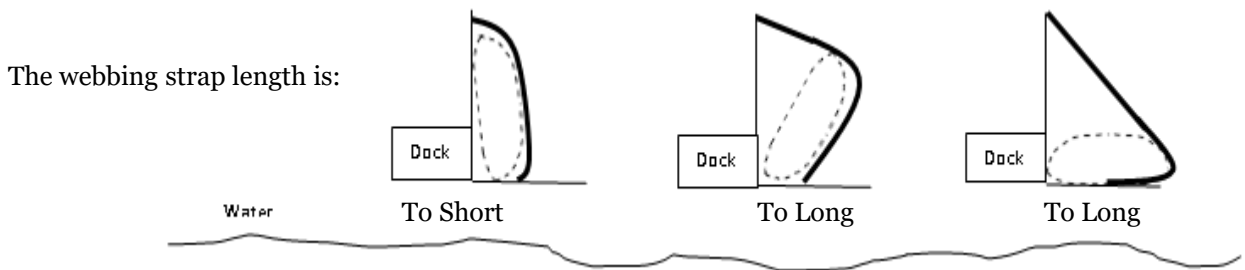
# **SETUP of “The DockSider”™ - continued**

## **Webbing Length Adjustment : continued**

3 – Continued

- b: Float your kayak into the rack (between the handle and the webbing) such that the cockpit seat is centered in the cradle.
- c: Lift your kayak just out of the water. If your kayak wants to lean to the right or left, check the straps to see if there is an excessive amount of strap on the side that’s leaning, if so shorten. Also you may want to adjust the position of the kayak in the rack. If the lean is to the left, reposition the kayak slightly to the right to have the center of gravity positioned between the straps. Reposition the kayak to the left if the lean is to the right. By holding the handle with both hands, you can “Feel” if there is more weight on one side versus the other. Remember this positioning for normal operation.
- d: Grasp the center of the cradle or use tether strap and SLOWLY rotate the handle to the Cradle / Kayak storage position. Rotate SLOWLY, to understand the “feel” of the lift when your kayak rotates toward the Dock. As the Kayak starts to rotate, grasp the top of your Kayak and guide to its storage position. On the Dockside Operation model, rotate Latch Plates (both sides) into position to maintain the position of the Kayak and Rack.

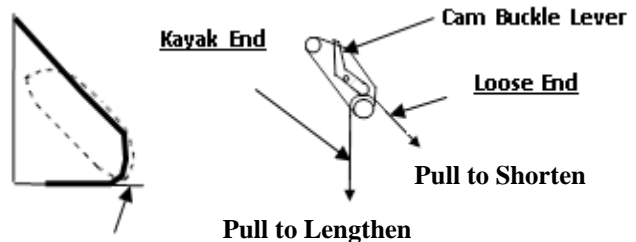
If your Kayak in it’s storage position looks like one of these illustrations:



Note: If the dock surface to water height is between 10 and 15 inches, the figure above on the left maybe the best that can be achieved with the contour of your kayak.

The ideal storage position should look like:

To adjust the Length of the webbing straps:  
Depress Cam Buckle lever and pull in the direction shown



Never adjust such that the bottom of your Kayak is closer than 2 inches to the end of the cradle.

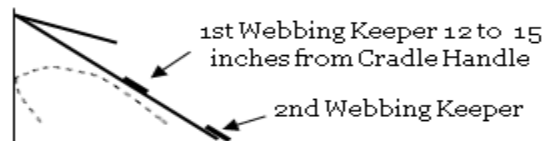
Note: the closer the kayak is to the end of the cradle, the greater the reach of operation.

Suggestion: If the Webbing length is to short, lengthen significantly.

Manually, position your kayak in the storage position at the desired angle, and then tighten straps by shortening.

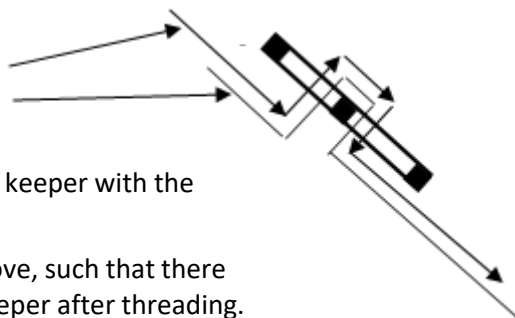
## Now that the webbing length is set, Secure Loose end of webbing length as follows:

Position the 1st Webbing Keeper approximately 12 to 15 inches down from the cradle handle; on each web strap.



Thread the loose end of webbing through Webbing Keeper (each side of unit)

Cam Buckle Loose End of Webbing  
Cam Buckle Kayak End of Webbing



Note:

It is much easier to thread the webbing through the webbing keeper with the Kayak out of the Kayak Rack.

Reposition the 2<sup>nd</sup> webbing keeper and thread, similar to above, such that there is 1 to 3 inches of webbing extended beyond the webbing keeper after threading.

Reload your Kayak, and rotate your kayak into its storage position.

You may place your Paddle in the loop between the handle and the 1<sup>st</sup> webbing keeper.

**The Setup is now Complete.**

### Operating Instructions

**To UNLOAD:** Note, if your paddle is stored in your Canoe Rack, remove your paddle first and set aside.

#### Canoe Operating Models

- 1 - Before unloading, check to Ensure that there are no objects or people in the path of the canoe when rotated toward the water.
- 2 - Standing on the Dock, grasp the pulley rope in one hand and then grasp the center of the handle.
- 3 - Rotate the Latch Plates on both Pivot Laterals 90 degrees counterclockwise. Note: Securely hold the handle as the Latch Plates are rotated out of the way, the weight of the Canoe will cause the Canoe Rack to want to rotate toward the water.
- 4 - Firmly holding the pulley rope, slowly lower the canoe into the water, by releasing (hand over hand) the length of the tether cord until your canoe is in the water.
- 5 - Secure the end of the pulley rope that is left in your hand around the cross bar such that you may float your canoe out of the rack.
- 6 - Float your canoe completely out of the rack and then pull on the pulley rope, to lift the cradle back into the storage position.
- 7 - Rotate the Latch Plates back into its holding position such that the cradle will not rotate back into the water when released.
- 8 - Enter your Canoe ensuring you are clear of the rack, grab your paddle and start your voyage.

## Operating Instructions - continued

### To Load and Store:

#### Canoe Operating Models

- 1 - Exit your canoe assuring you are clear of the canoe rack.
- 2 - Release the Latch Plates and lower the cradle.
- 3 - Secure pulley rope to the cross bar such that your canoe will float into your rack between the handle and the lifting webbing.
- 4 - Float your canoe into the rack and position.
- 5 - Grasp the pulley rope and slowly lift / rotate your canoe and rack into its storage position.
- 6 - Grasp the handle of your rack, holding it in its storage position.
- 7 - Rotate the Latch Plates into position such that your canoe will not rotate back into the water.
- 8 - Release your hand from the cradle handle and coil and secure the pulley rope to the cross bar with the Velcro strap
- 9 - If you choose, store your paddle between the webbing under the cam buckle.

**You're DONE - just Load / Latch / and walk away!**



**WE SINCERELY HOPE YOU ENJOY THE CONVIENIENCE OF**

**“The Docksider”™**

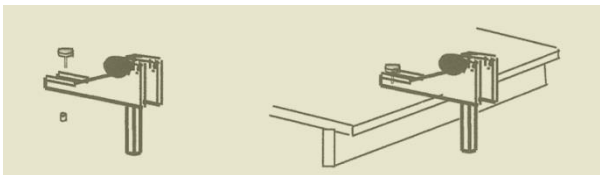
For assistance, please call: 585 – 734 – 7374  
Or send email to: [info@DockCraft.com](mailto:info@DockCraft.com)

**DockCraft Industries LLC  
3694 Nibawauka Beach  
Canandaigua, New York 14424  
[www.DockCraft.com](http://www.DockCraft.com)**

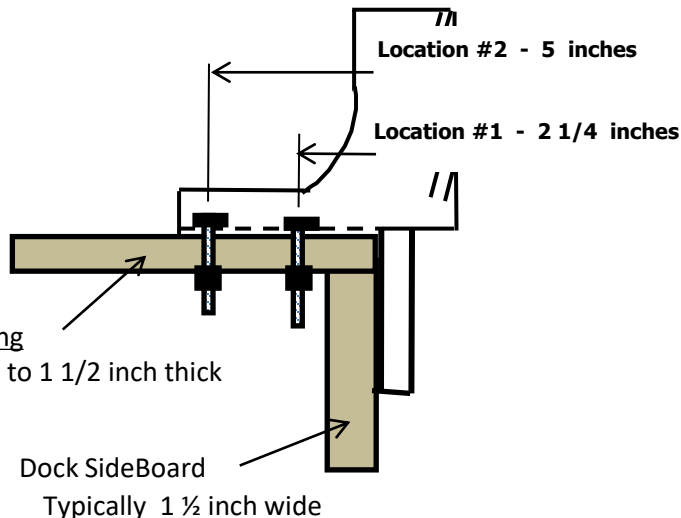
# "The DockSider" Mounting Options

## DockCraft Industries Bolt On Mount for "The DockSider" - Canoe Dock Lift -

### Canoe Dock Rack Bolt on Mount



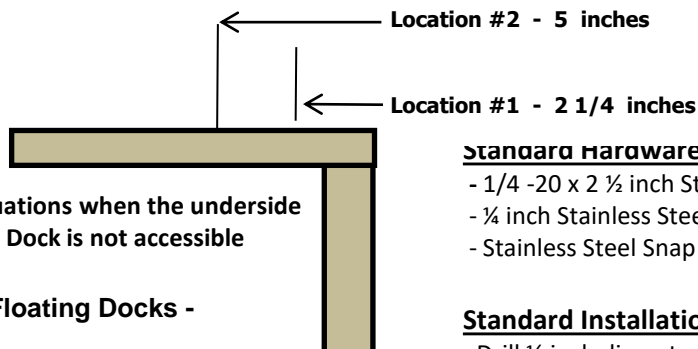
- Bolts in 2 locations per Mount
- 2 Mounts per Dock Rack



### Surface Mount (Bolt On) Mount Overview

Boat Docks come in many different configurations

#### Wood Dock with Decking on top of Side Board



Ideal for situations when the underside  
of your Dock is not accessible

- Floating Docks -

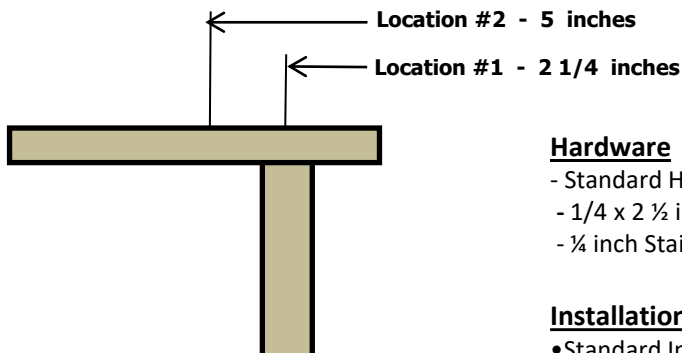
#### Standard Hardware – Included in Purchase

- 1/4 -20 x 2 1/2 inch Stainless Steel cap screw, each location
- 1/4 inch Stainless Steel washer, each location
- Stainless Steel Snap Toggler, each location

#### Standard Installation Requirements

- Drill 1/2 inch diameter holes in locations shown
- Insert Snap Toggles per directions from top of Dock
- Insert screws and washers then secure.

#### Wood Decking overhanging Dock Sideboard



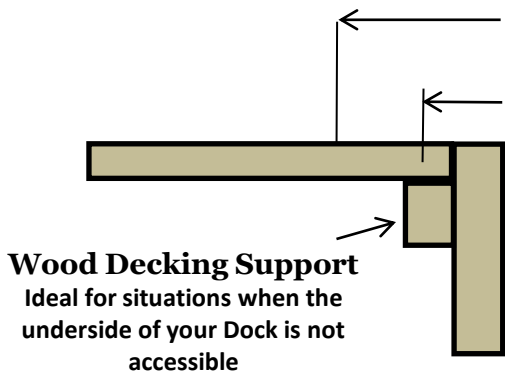
#### Hardware

- Standard Hardware
- 1/4 x 2 1/2 inch Stainless Steel lag Screw – location #1, not included
- 1/4 inch Stainless Steel washer, each location

#### Installation Requirements

- Standard Installation; except
- Location #1, Drill 1/8 or 3/16 inch pilot hole through decking and into side board.
- Insert Lag Screw and washers to secure.

## Wood Dock with Decking Flush with Side Board



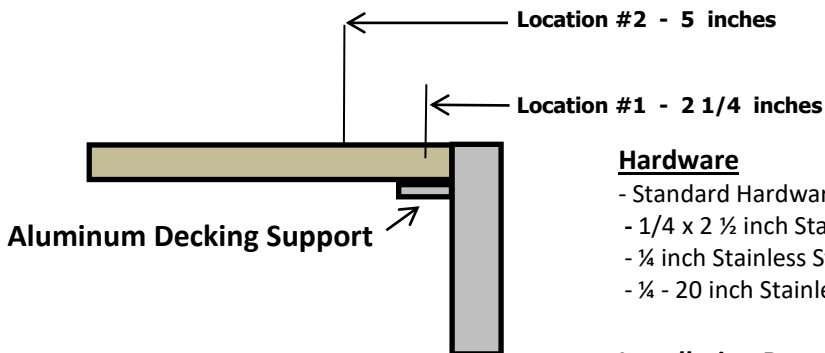
### Hardware

- Standard Hardware
- 1/4 x 2 1/2 inch Stainless Steel lag Screw – location #1, not included
- 1/4 inch Stainless Steel washer, each location

### Installation Requirements

- Standard Installation; except
- Location #1, Drill 1/8 or 3/16 inch pilot hole through decking and into the wood decking support.
- Insert Lag Screw and washers to secure.

## Wood Decking Flush with Aluminum Side Channel



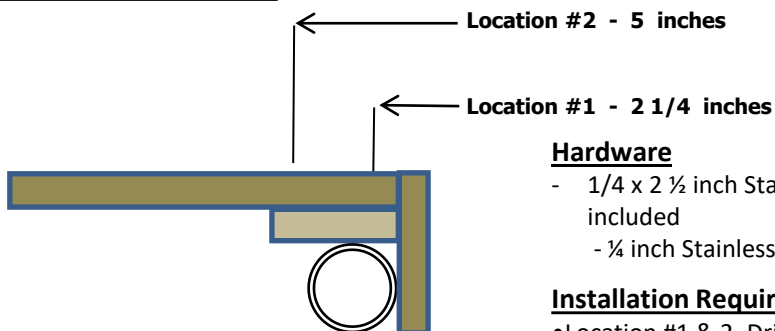
### Hardware

- Standard Hardware
- 1/4 x 2 1/2 inch Stainless Steel Cap Screw – location #1, included
- 1/4 inch Stainless Steel washer, each location, included
- 1/4 - 20 inch Stainless Steel nut and lock washer, not included

### Installation Requirements

- Standard Installation; except
- Location #1, Drill 3/8 inch hole through decking and aluminum decking support.
- Insert Cap Screw , washer , and lock washer and nut to secure.

## Wood Decking – Pipe Dock



### Hardware

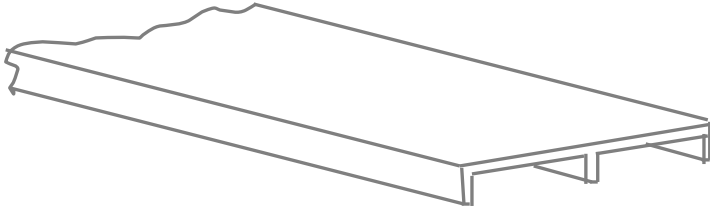
- 1/4 x 2 1/2 inch Stainless Steel lag Screw – location #1 & 2, not included
- 1/4 inch Stainless Steel washer, each location

### Installation Requirements

- Location #1 & 2, Drill 1/8 or 3/16 inch pilot hole through decking and into the wood decking support.
- Insert Lag Screws and washers to secure.

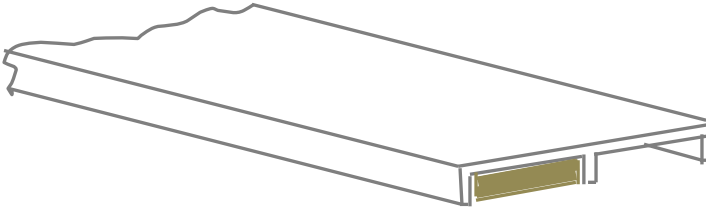
## Aluminum / Vinyl Decking

We do not recommend attaching the Bolt On Kayak / Paddle board Surface Mount **directly** to Aluminum / Vinyl decking as the Decking material is thin, however supported by 3 vertical members.



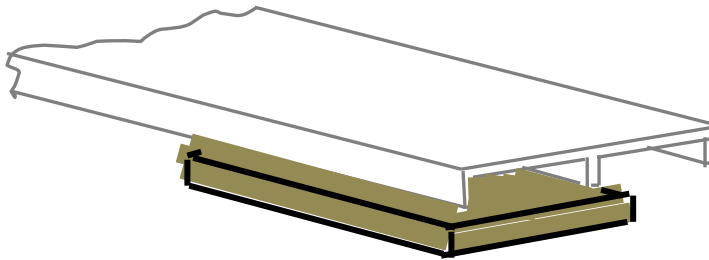
Given you choose to mount the Surface (Bolt On) Mount to Aluminum or Vinyl Decking:  
it is highly recommended that you install a backer board in the area of the mounting positions.

### Option #1



The backer board should be slightly smaller than width between vertical members of decking and at least 6 inches long. The thickness should not extend beyond the height of the decking vertical members.

### Option #2



The Backer board should be wider than the width between vertical members of the decking, at least 6 inches long; and have a thickness of  $\frac{3}{4}$  to 1 inch.

When securing the Dock Bolt On Mount; the decking is actually clamped between the Bolt On Mount and the Backer Board. Use caution as not to over tighten.