

“The DockSider”™

Patented

Assembly, Installation, Setup, and Operating Instruction

OM200 - 012721



- Tool Free Dock Mount Models; Series 200 -

- Holds Kayaks / Paddleboards up to 125 pounds.
- For Docks with Wood, Composite Wood, Vinyl, and Aluminum Decking.
- Must have Dock side boards less than 7 ½ inches. Truss Docks 10 inches.
- Designed for standard dock decking thickness of up to 1 ½ inches.
- The underside of your dock Must be accessible.

A Kayak / SUP Lift and Dock Storage Rack

Model DS200 – Aluminum Dockside Operation

- Operates from the Dockside Only.
- Holds your Kayak / Paddleboard 5 to 17 inches below the dock surface.
- Accommodates Freeboard (Dock Surface to Water Level) height up to 36 inches.

Model WS200 – Aluminum Waterside Operation

- Operates from the Waterside Only.
- Holds your Kayak / Paddleboard 5 to 17 inches below the dock surface.
- Accommodates Freeboard (Dock Surface to Water Level) height up to 36 inches.

Please read these instructions carefully before using this product and save this manual for future use.

For assistance, please call: 585 – 734 – 7374

Or send email to: info@DockCraft.com

**DockCraft Industries LLC
3694 Nibawauka Beach
Canandaigua, New York 14424**

Table of Contents

Page 2 of 13

“The DockSider”™

○ Safeguards	2
○ Warranty	3
○ Part List	3
○ Assembly Instructions	4 - 6
○ Installation - DS 200 and WS 200	6 - 9
○ Setup	9 - 12
○ Operation	12 - 13

IMPORTANT SAFEGUARDS

- 1. READ ALL INSTRUCTIONS BEFORE USING THE “The DockSider”™.**
- The intended use of the product is to store a Kayak or Paddleboard on the side of a boat dock. Do not use this product for other than its intended use.
- The maximum weight of Kayak or Paddleboard to be racked in “The DockSider”™ shall not exceed 125 pounds.
- For use in Salt Water, the unit should be rinsed with Fresh Water after use.
- Kayaks should not contain more than one quarter inch (1/4”) of water inside when storing in the “The DockSider”™. Product Damage could result to the “The DockSider”™ if this is not followed and the Warranty will be voided. If your Kayak contains excess amounts of water (capsized or other), roll kayak over to empty.
- To ensure proper use, do not attempt to modify this product in any manner. Please refer to the manual if questions arise.
- If further assistance is needed, please contact DockCraft Industries prior to use of this product.
- Do not allow children or adults to play on, around, or with the “The DockSider”™ while a kayak or Paddleboard is loaded or unloaded. Serious injury and damage to product, docks, and people could result if this warning is not followed.
- Store only one kayak per “The DockSider”™.
- If the DockSider is not working properly, please contact DockCraft Industries immediately for assistance.
- Do not enter or exit your Kayak or Paddleboard when your kayak is engaged within “The DockSider” ; in the loading or storage position.
- Do not install your Kayak / Paddleboard Storage Rack such that “The DockSider” is near or in contact with any electrical or Dock Structural components.

Limited Warranty

What does your warranty cover?

- Any defect in materials or workmanship when used for the intended purpose of storing kayaks on the side of a boat dock under normal use and conditions.
- The warranty is limited to the original purchaser.

For how long after the original purchase?

- One year

What will we do?

- Provide you with a replacement part at no charge for any part found defective in materials or workmanship.

How do you make a warranty claim?

- Please contact DockCraft Industries for a Return Material Authorization (RMA) number before returning items. A shipping address will be provided at that time.

What does your warranty not cover?

- Damage from failures that occur as a result of improper assembly, failure to properly adjust and operate, misuse or neglect of product's intended purpose.
- Product which has been modified in any manner.
- Safeguards are not followed
- The warranty is not valid if you are not the original purchaser.
- Cosmetic defects

“The DockSider”™ PARTS LIST – Tool Free Dock Mount Models; Series 200

Remove all parts from the box and remove the dock mount from the pivot lateral by unwrapping the stretch wrap.

If any parts are missing from the package (in type or quantity), do not assemble and contact DockCraft Industries immediately.

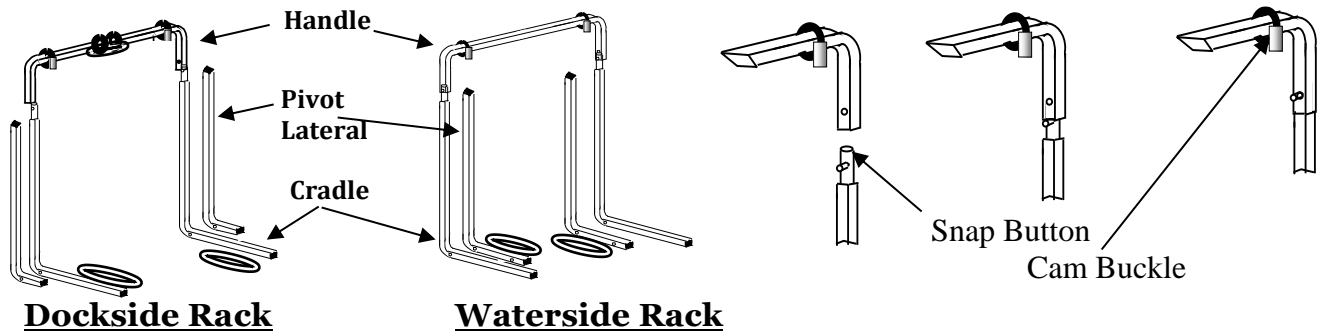


Assembly Instruction

Attach Cradle Handle :

- 1 - Position Handle over Cradle.
- 2 - Slide the Handle over extension on Cradle.
- 3 - Depress Snap Button on Cradle.
- 4 - Seat Handle until Snap Button pops through the Handle hole.
- 5 - Repeat process for the other Cradle.

Steps 1 – 4



- Notes -** Lifting Straps are on the inside
Dockside Rack – Short Legs on the outside
Waterside Rack – Shorter Legs on the inside

Insert Clevis Pins to set height of rack from water

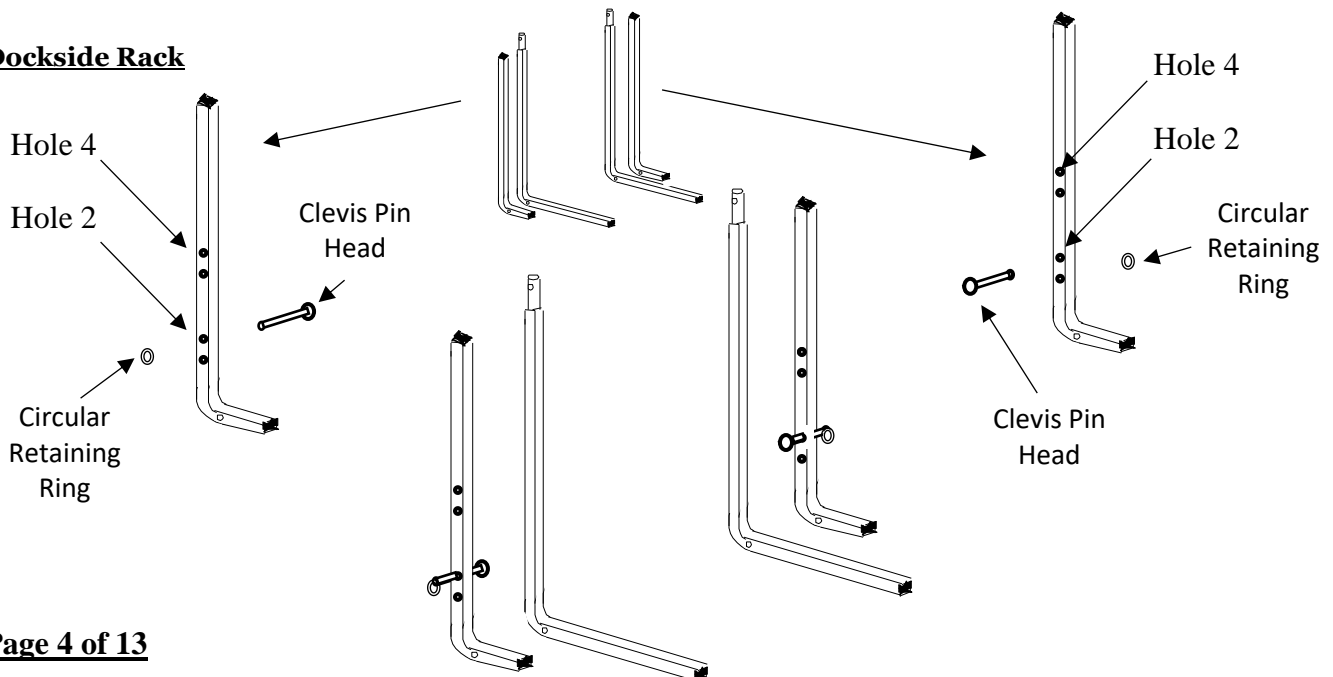
If the Water Level is 10 to 25 inches below your Dock Decking -

- 6 - Insert Clevis Pin through Hole #2 in Pivot Lateral such that the head is between the Pivot Lateral and Cradle, attach retaining ring through the hole in the end of the clevis pin.

7 - If the Water Level is 25 inches or greater from the Dock Decking -

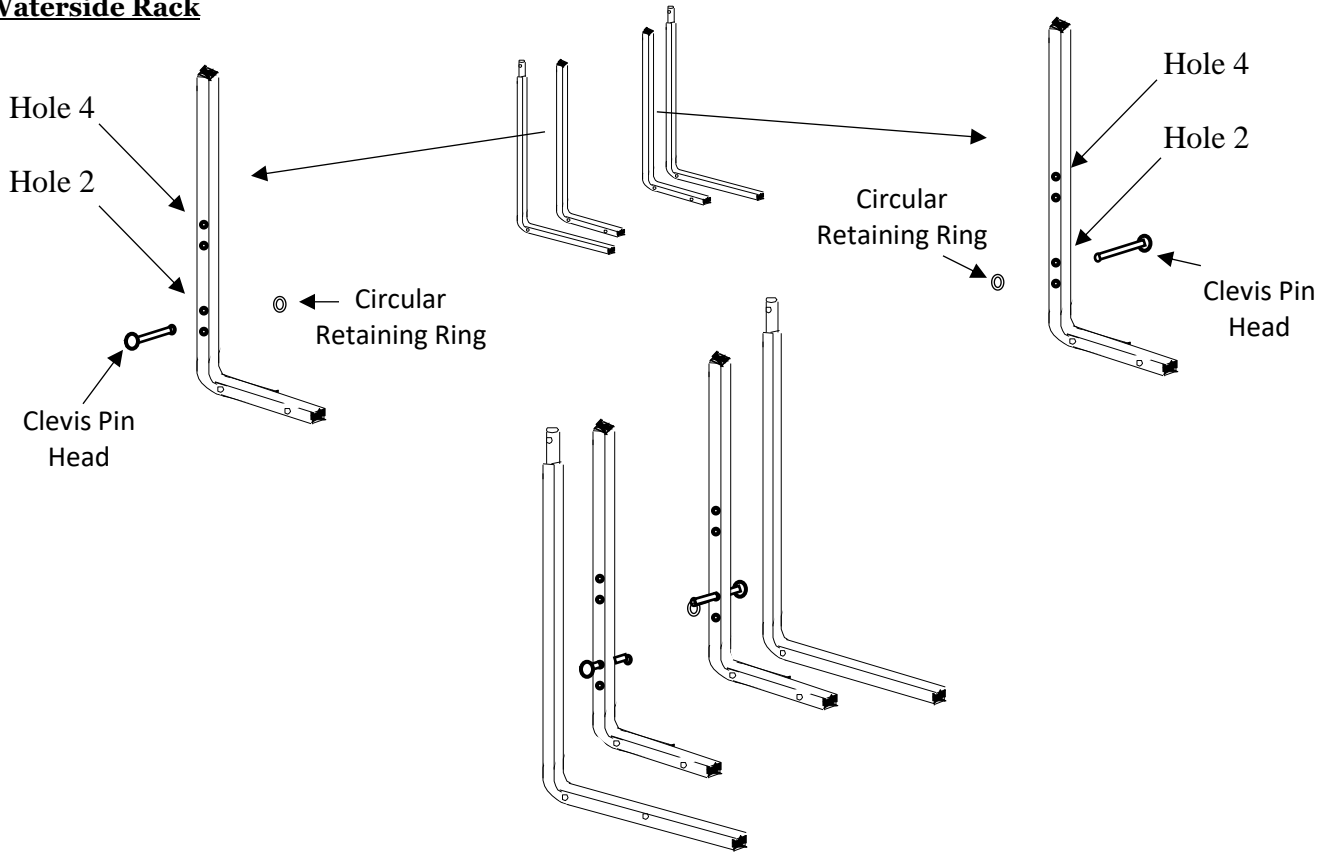
- Insert Clevis Pin through Hole #4 in Pivot Lateral such that the head is between the Pivot Lateral and Cradle, attach retaining ring through the hole in the end of the clevis pin.

Dockside Rack



Insert Clevis Pins to set height of rack from water - continued

Waterside Rack



Thread Webbing through Cam Buckle :

8 – Obtain one of the Cam Buckles and Depress Lever

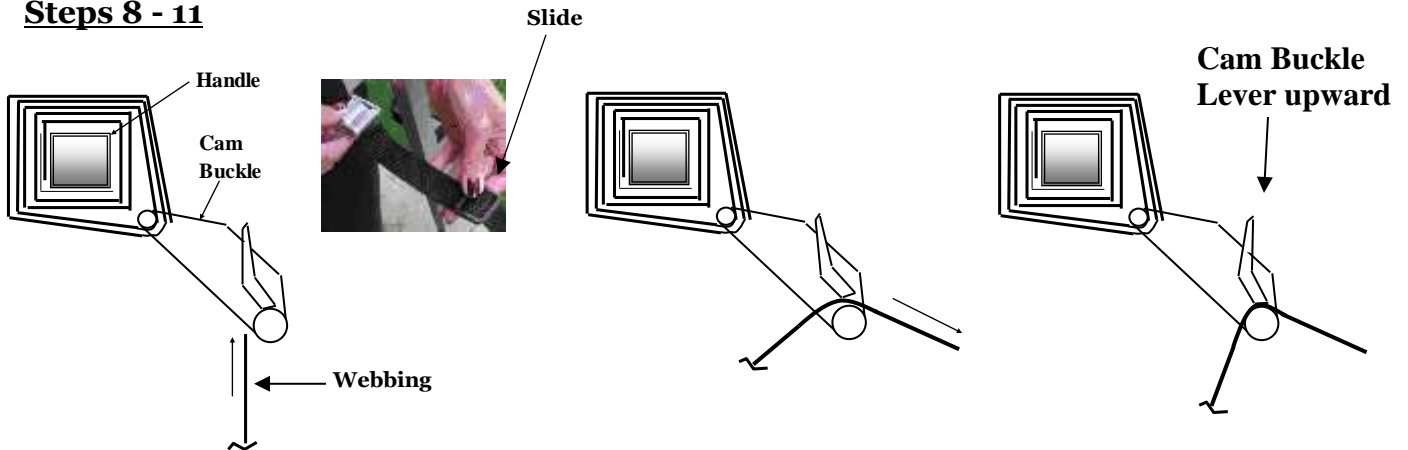
9 – Thread Webbing through opening in the Cam Buckle

Ensure the Slide on the Web Keeper is positioned as shown. ***Facing up and the webbing is not twisted.***

10 – Pull webbing through the Cam Buckle until the pre-marked line is in position with the cam buckle.

11 – Repeat Steps 6 – 8 to thread the webbing through the other Cam Buckle.

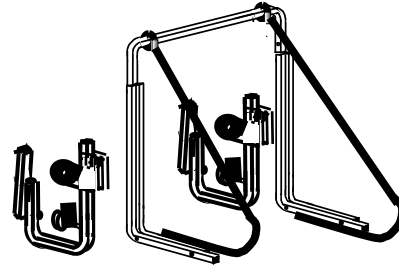
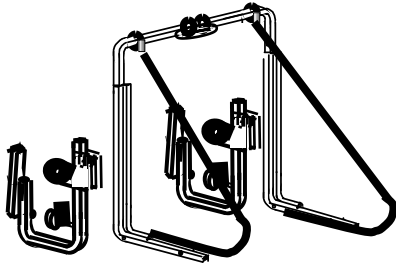
Steps 8 - 11



Completed Assemblies

Dockside Operation Model – DS200

Waterside Operation Model – WS200

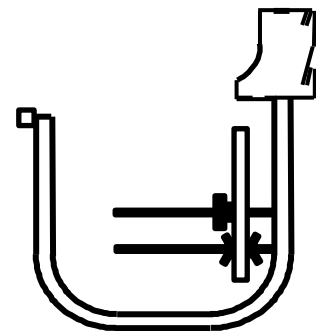


“The DockSider” Mounting Options
DockCraft Industries Clamp On Mount for “The DockSider”
- Kayak Dock Rack and Paddleboard Dock Lift -

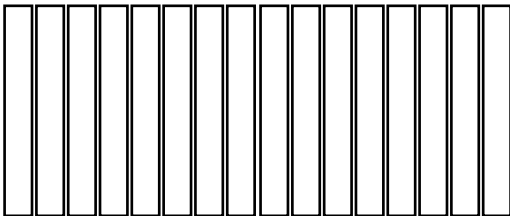
Kayak / Paddle Board Dock Rack Clamp On Mount



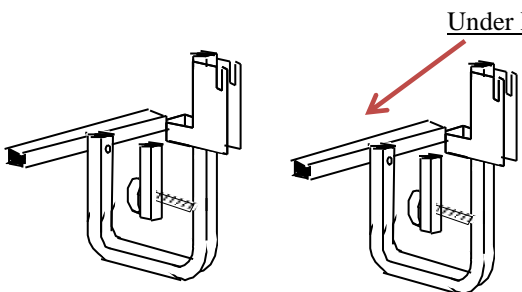
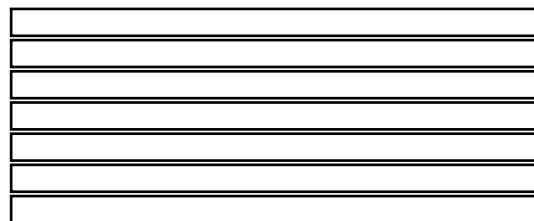
- Clamp On Dock Mount
- 2 Mounts per Dock Rack



If the slats on your decking run across your Dock

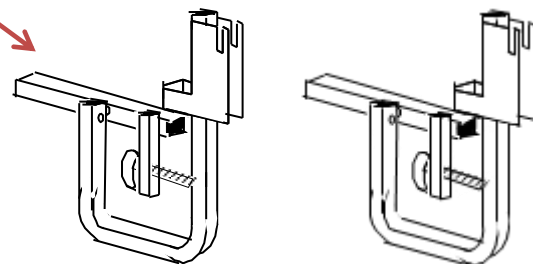


If the slats on your dock run the length of your dock



Align the under dock bearing tube as shown

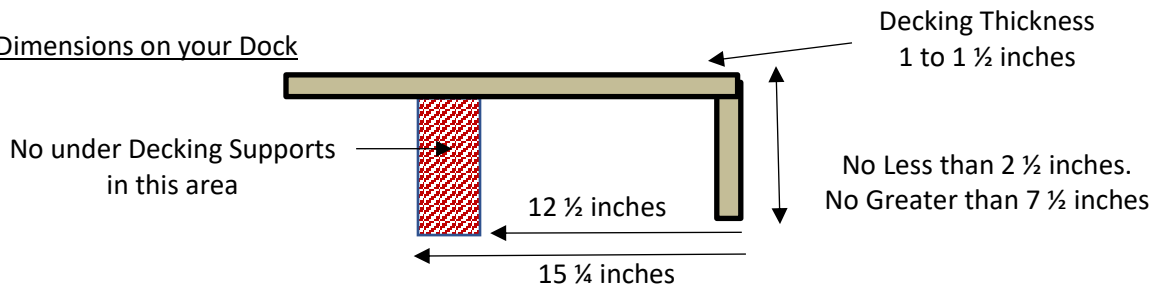
Under Dock Bearing Tube



Align the under dock bearing tubes on opposite sides of the mount

Adjust the Clamp On Mount to Fit Your Dock – Typical Dock Decking Configurations

Check the Dimensions on your Dock

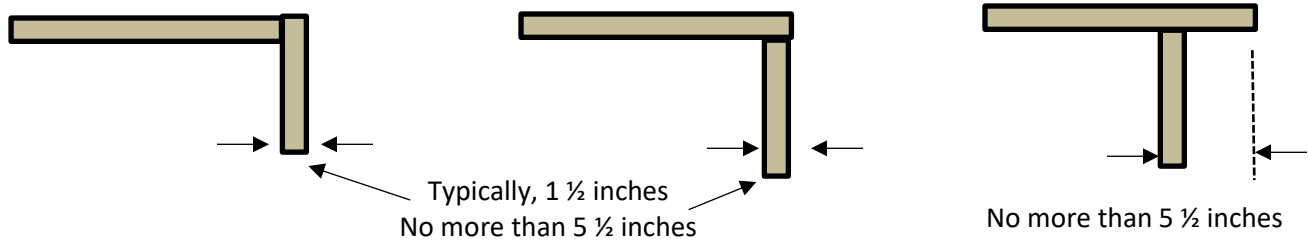


Measure the width of your Side Rail

Decking Flush with Side Rail

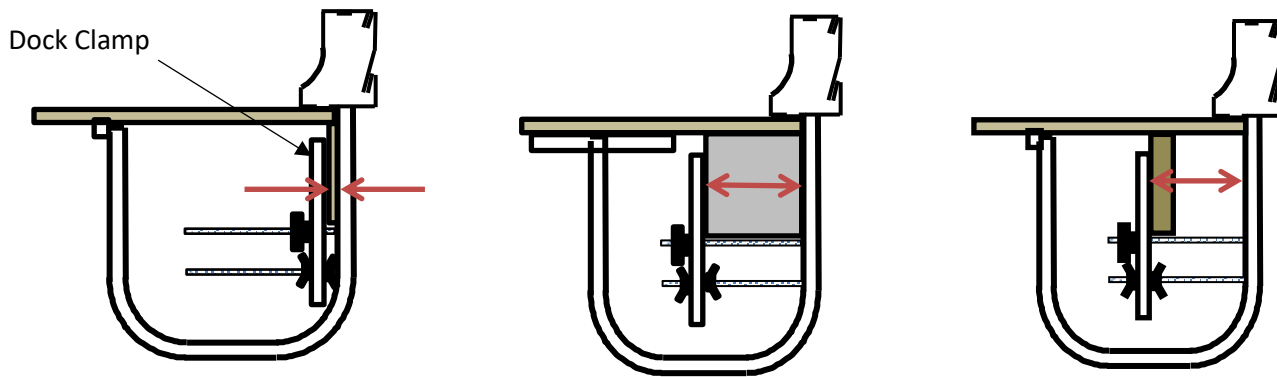
Decking on Top of Side Rail

Side Rail Setback from Edge of Dock

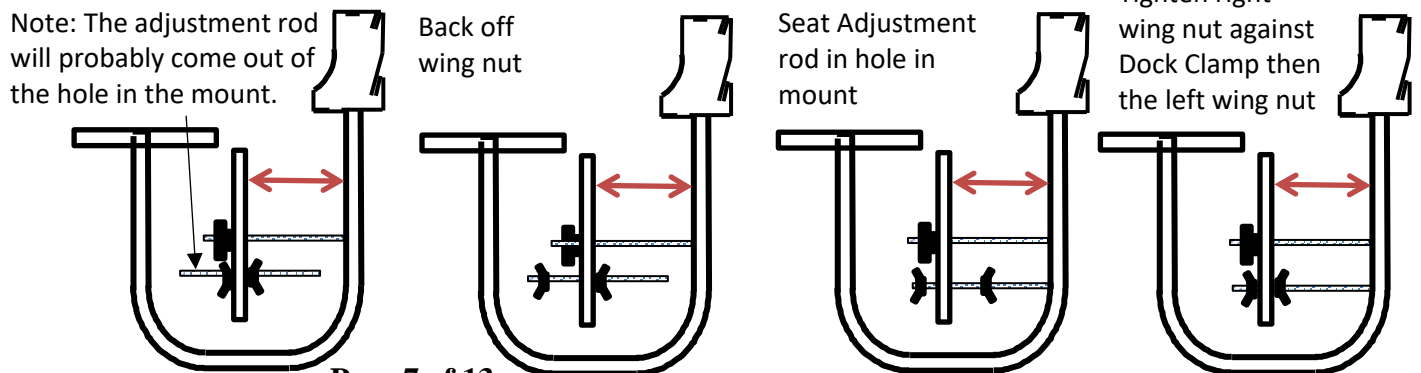


The clamp on mount can be adjusted to accommodate the dimensions indicated. If your dock has dimensions that do not fall within the dimensions specified, give us a call (585-734-7374) or email us at info@dockcraft.com. In many cases, we can modify the mount to your needs.

Set the Dock Clamp to the proper dimension.



Measure the distance from the edge of the dock to the back side of the side rail (red arrows). Back off the hand knob such that the length of the threaded rod between the front of the dock clamp and the inside of the clamp on mount is the same as what you had measured.



Install the Clamp on Mounts on your Dock

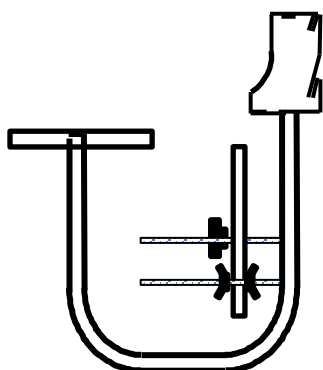
- 1 - Select a position on your dock where you choose to mount your Kayak Storage Rack.
Ensure there are not any electrical or structural components in the area.
- 2 - The Dockside Model should be mounted on 1 section of your dock.
- 3 - Make sure the wood on your dock is solid (not cracked or rotting) at the installation position.
- 4 - Ensure there are no obstructions above or below your dock.
- 5 - Place one Dock Mount on your Dock and position as shown below.

Note:

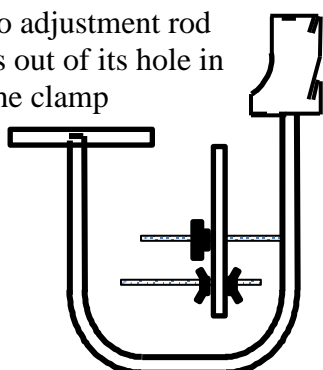
The Dockside Model: Spacing between mounts is 32 inches (center to center)

The Waterside Model: Spacing between Mounts is 26 ½ inches (center to center).

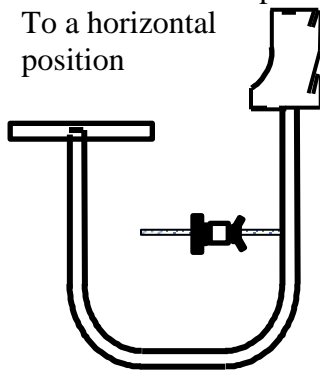
The Mount as set



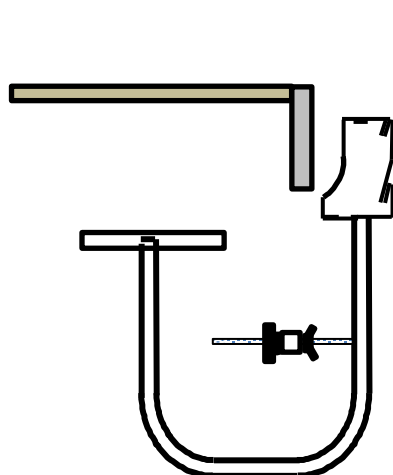
Back off hand knob so adjustment rod is out of its hole in the clamp



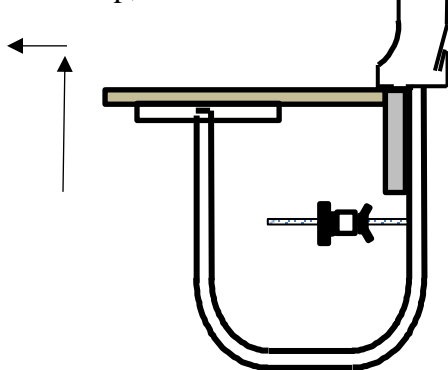
Rotate Dock Clamp To a horizontal position



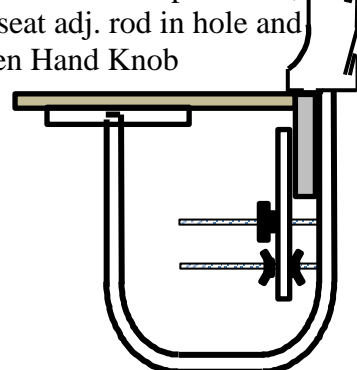
Position the mount as shown



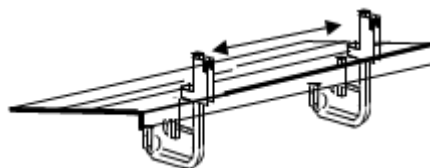
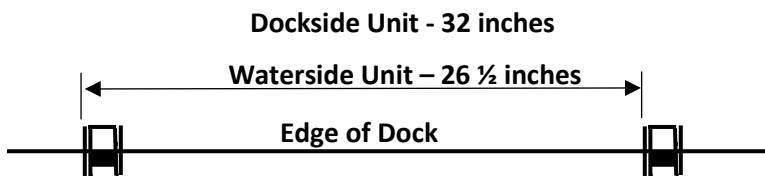
Lift up, then in



Rotate Dock Clamp vertical, then seat adj. rod in hole and tighten Hand Knob



Your ready to install the second mount., follow the steps above.



Align the 2nd Dock Mount per the diagram above and install as mounting the first mount

Tighten the hand knob (**Do Not over tighten**), then recheck the distance between mounts. Adjust as necessary.

For Truss Style Docks



You may have to remove the Adjustment Rod as it may interfere with the lower horizontal rail.

The Dock Clamp will secure the mount between the top and bottom rail or the top rail and one of the diagonals near the bottom rail.

Follow the instructions above to install.

You will have to cant the mount to fit the dock clamp in between the angled rods on the truss structure.

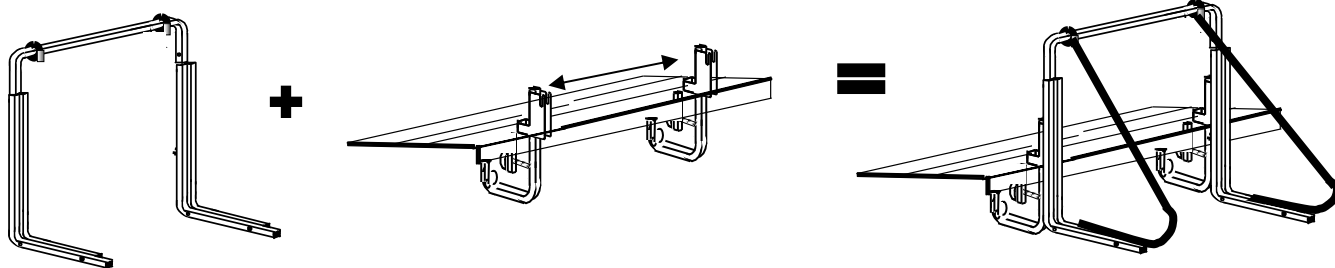
Worst case, remove the hand knob, install the mount, and reinstall the hand knob and tighten. Do not over tighten!

SETUP of "The DockSider"™

Now that the assemblies are complete, it is now time to SETUP your Kayak Rack to "fit" your Kayak.

Whether it be the Dockside Cradle or the Waterside Cradle

Mount the Cradle to the Clamp On Mounts



For the DockSide unit, the shorter legs on the Cradle are on the Outside,
For the WaterSide unit, the shorter legs on the Cradle are on the Inside.
Both units, Straps are on the inside.

When inserting the cradle in the mounting bracket, the head of the clevis pin should be on the outside of the mounting bracket on one side and the circular retaining ring should be on the outside of the bracket on the other side.

Kayak Storage Rack to Water Level Adjustment:

If the distance to the water from the dock decking is:

10 to 22 inches: insert clevis pin in 2nd hole of the pivot lateral into the top Slot of the mounting bracket.

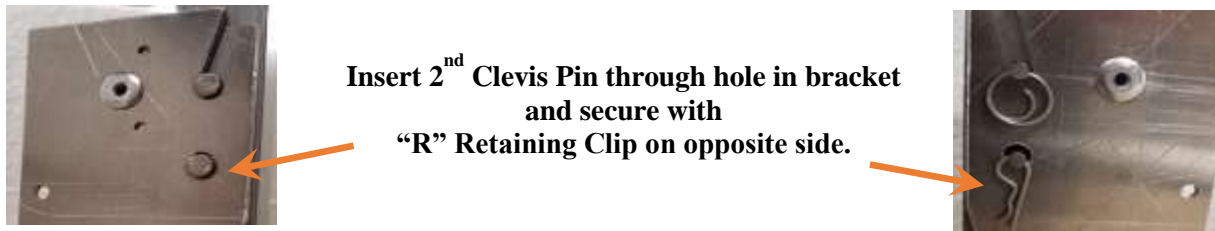
17 to 29 inches: insert clevis pin in 2nd hole of the pivot lateral into the bottom Slot of the mounting bracket

20 to 31 inches: insert clevis pin in the 4th hole of the pivot lateral into the top Slot of the mounting bracket

25 to 37 inches: insert clevis pin in 4th hole of the pivot lateral into the bottom Slot of the mounting bracket

Adjust if required - up or down - based on your specific watercraft or if your water level changes significantly throughout the season.

To “Lock” the Brackets and Pivot Laterals together insert “Locking Pin” on both sides of unit.
If Clevis Pin with Circular Retaining Ring in Hole 2 or 4 of Pivot Lateral is seated in the Top Slot.



Insert 2nd Clevis Pin through hole in bracket
 and secure with
 “R” Retaining Clip on opposite side.

If Clevis Pin with Circular Retaining Ring in Hole 2 or 4 of Pivot Lateral is seated in the Bottom Slot



Insert 2nd Clevis Pin through hole under the
 bracket and secure with
 “R” Retaining Clip on opposite side.

Note: Push the heads of the clevis pins against the side of the mounting bracket to assure clearance when lifting the cradle itself from the loading position to the storage position.

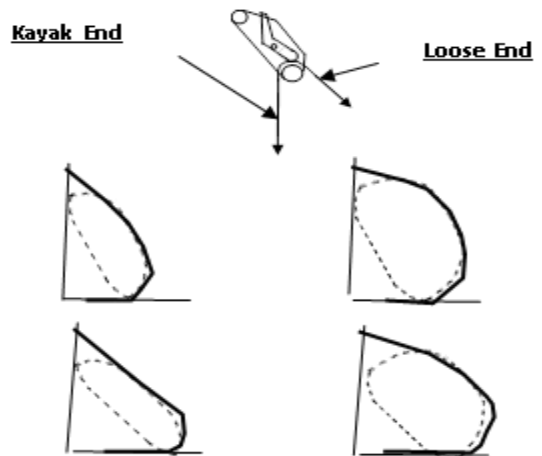
Webbing Length Adjustment :

As a result of the assembly procedure, the mark on the webbing should be located at the cam buckle.

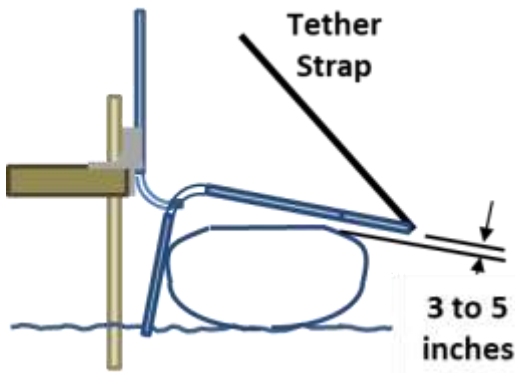
This setting is a nominal setting for kayaks with a width of 27 to 29 inches. Based on the width and contour of your kayak, this setting may vary. As a guide, add 2 inches in length for every inch your kayak is greater in width than the 27 inches indicated. Shorten if less than 27 inches.

This setting has 2 purposes:

- 1 – To accommodate the size and contour of your Kayak
- 2 – To allow your Kayak to sit at an angle to minimize rain entering the Kayak and therefore collect in the cockpit



- 3 – Load your Kayak into your rack and rotate to the Kayak Storage Position by:
 - a: Rotating the Cradle toward the water such that there is a space between your watercraft and the handle of approximately 3 to 5 inches when you start the lift. With the Dockside Operation model do this using the tether strap. With the Waterside Operation model do this by standing in the water and centered on your rack, grasping the handle and rotating toward you.
 - b: Floating your kayak into the rack (between the handle and the webbing) such that the front of the cockpit seat is centered in the cradle.



Note:
 This dimension should be “measured / gaged” when starting the lift.

If your watercraft will not fit between the strap and the handle or is less than 3 inches; Lengthen the strap via the cam buckle.

If greater than 5 inches, shorten the strap.

c: Lift your kayak just out of the water. If your kayak wants to lean to the right or left, check the straps to see if there is an excessive amount of strap on the side that’s leaning, if so shorten. Also, you may want to adjust the position of the kayak in the rack side to side. If the lean is to the left, reposition the kayak slightly to the right to have the center of gravity positioned between the straps. Reposition the kayak to the left if the lean is to the right. By holding the handle with both hands, you can “Feel” if there is more weight on one side versus the other. Remember this positioning for normal operation.

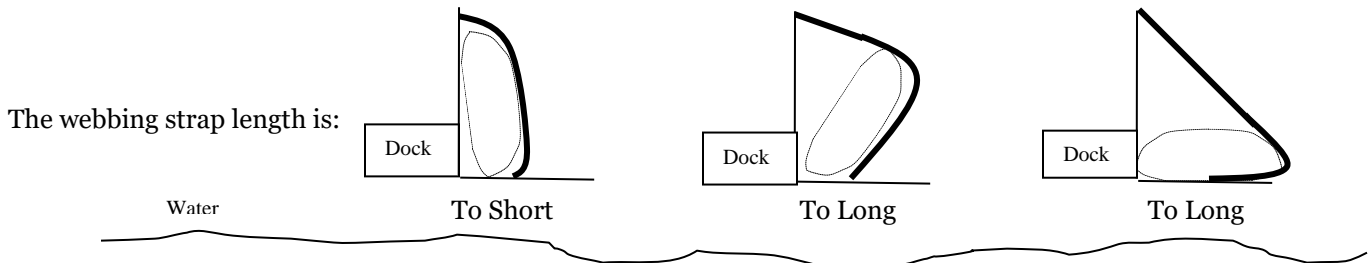
d: Grasp the center of the cradle or use tether strap and SLOWLY rotate the handle to the Cradle / Kayak storage position. Rotate SLOWLY, to understand the “feel” of the lift when your kayak rotates toward the Dock.

On the Waterside Model, as the Kayak starts to rotate, grasp the top of your Kayak and guide to its storage position.

On the Dockside Model, as the kayak / paddle board approaches its vertical position, slow down the lifting to allow a slower speed of rotation as the watercraft rotates into the storage position. Once in the storage position, rotate Latch Plates (both sides) into position to maintain the position of the Kayak / Paddle Board and Rack.

e: When you have your watercraft in the storage position, you may want to readjust the straps to achieve the desired angle of your vessel.

If your Kayak / Paddle Board in the storage position looks like

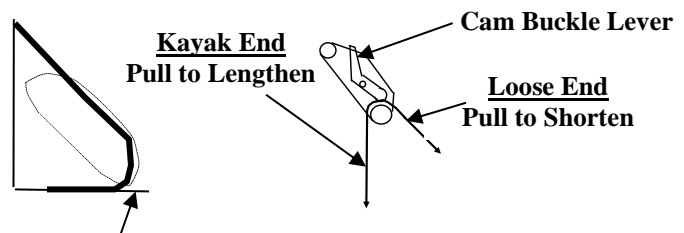


Note: If the dock surface to water height is between 10 and 15 inches, the figure above on the left maybe the best that can be achieved with the contour of your kayak.

To adjust the Length of the webbing straps:

Loosen the Webbing Strap, then manually rotate the Kayak / Paddle Board to the desired position, then tighten the straps to secure your watercraft in that position.

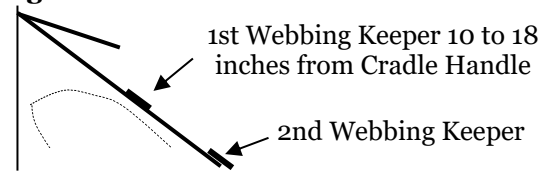
The ideal storage position should look like:



Never adjust such that the bottom of your Kayak / Paddle Board is closer than 2 inches to the end of the cradle.
 Note: the closer the Kayak / Paddle Board is to the end of the cradle, the greater the reach of operation.

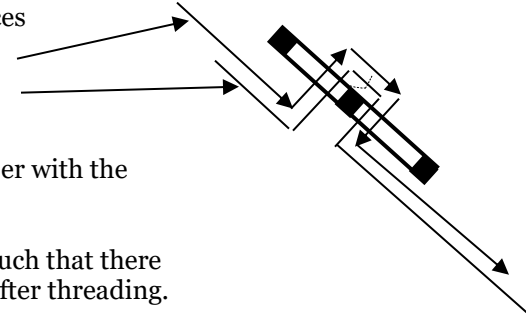
Now that the webbing length is set, Secure Loose end of webbing length as follows:

Position the 1st Webbing Keeper approximately 10 to 18 inches down from the cradle handle; on each web strap.



Thread the loose end of webbing through Webbing Keeper (2 places

Cam Buckle Loose End of Webbing
Cam Buckle Kayak End of Webbing



Note:

It is much easier to thread the webbing through the webbing keeper with the Kayak / Paddle Board out of the Rack.

Reposition the 2nd webbing keeper and thread, similar to above, such that there is 1 to 3 inches of webbing extended beyond the webbing keeper after threading.

Reload your Kayak / Paddle Board, and rotate into its storage position. You may place your Paddle in the loop between the handle and the 1st webbing keeper.

The Setup of **"The DockSider"**TM is now Complete.

Operating Instructions

To UNLOAD: Note, if your paddle is stored in your Kayak Rack, remove your paddle first and set aside.

Dockside Operating Models

Waterside Operating Models

- 1 - Before unloading, check to Ensure that there are no objects or people in the path of the kayak when rotated toward the water.
- 2 - Standing on the Dock, grasp the tether cord in one hand and then grasp the center of the handle.
- 3 - Rotate the Latch Plates on both Pivot Laterals 90 degrees counterclockwise. Note: Securely hold the handle as the Latch Plates are rotated out of the way, the weight of the Kayak will cause the Kayak Rack to want to rotate toward the water.
- 4 - Firmly holding the tether cord, slowly lower the kayak into the water, by releasing (hand over hand) the length of the tether cord until your kayak is in the water.
- 5 - Secure the end of the tether cord that is left in your hand around one of the pivot laterals such that you may float your kayak out of the rack.
- 6 - Float your kayak completely out of the rack and then pull on the tether cord, to lift the cradle back into the storage position.

- 1 - Use caution when lowering your kayak as your kayak will be rotating to the water toward you. Ensure you are physically fit to manage the weight of lowering your kayak and that there are not any obstacles in the water that would cause you to trip.
- 2 - Stand in the water and center yourself with the length of the kayak rack.
- 3 - Release the Latch Plates by rotating both 90 degrees clockwise.
- 4 - Grasp the center of the cradle handle with both hands and slowly lower your kayak into the water.
- 5 - Float your kayak completely out of the rack and rotate the cradle back into its storage position.
- 6 - Rotate one of the Latch Plates back into position such that the cradle will not Rotate back toward the water.

- 7 - Rotate one of the Latch Plates back into its holding position such that the cradle will not rotate back into the water when released.
- 8 - Enter your Kayak ensuring you are clear of the rack, Grab your paddle and start your voyage.

- 7 - Enter your kayak ensuring you are clear of the rack, grab your paddle and start your voyage

To Load and Store:

Dockside Operating Models

Waterside Operating Models

- 1 - Exit your kayak assuring you are clear of kayak rack.
- 2 - Release the Latch Plates and lower the cradle.
- 3 - Secure tether strap to the Pivot Lateral such that your kayak will float into your rack between the handle and the lifting webbing.
- 4 - Float your kayak into the rack and position as determined in step 3c of the webbing length adjustment (page 7)
- 5 - Grasp the tether strap and slowly lift / rotate your kayak and rack into its storage position.
- 6 - Grasp the handle of your rack, holding it in its storage position.
- 7 - Rotate the Latch Plates into position such that your kayak will not rotate back into the water.
- 8 - Release your hand from the cradle handle and secure the tether cord to a pivot lateral or the handle with a simple overhand knot.
- 9 - If you choose, store your paddle between the webbing under the cam buckle.

- 1 - Exit your kayak assuring you are clear of the the kayak rack.
- 2 - Release the Latch Plates and lower the cradle.
- 3 - Position the cradle such that your kayak will float into your rack between the handle and the lifting webbing.
- 4 - Float your kayak into the rack and position as determined in step 3c of the webbing length adjustment (page 7).
- 5 - Grasp the center of the handle and slowly lift / rotate your kayak into its storage position.
- 6 - Rotate the Latch Plates into position such that your kayak does not accidentally rotate back into the water.
- 7 - If you choose, store your paddle between the webbing under the cam buckle.

You're DONE - just Load / Latch / and walk away!



WE SINCERELY HOPE YOU ENJOY THE CONVIENIENCE OF

“The DockSider”™

For assistance, please call: 585 – 734 – 7374
Or send email to: info@DockCraft.com

DockCraft Industries LLC
3694 Nibawauka Beach SM
Canandaigua, New York 14424
www.DockCraft.com