

“The DockSider”™

Patented

Assembly, Installation, Setup, and Operating Instruction

OM400 - 0721



- Beach King Mount Models; Series 400 -

- Holds Kayaks / Paddleboards up to 100 pounds.
- For Beach King Docks with Adapter Track
- Mounts to the Dock Siderail

- Tools are required (7/16 & 3/4) Open End Wrenches) for initial installation.

**Some
Assembly
Required**

A Kayak / Paddleboard Lift and Dock Storage Rack

Dock Model DS400 - Aluminum Dockside Operation

- Operates from the Dockside Only.
- Holds your Kayak / Paddleboard 5 to 17 inches below the dock surface.

- Accommodates Freeboard (Dock Surface to Water Level) height up to 30 inches.

Model WS400 - Aluminum Waterside Operation

- Operates from the Waterside Only.
- Holds your Kayak / Paddleboard 5 to 17 inches below the dock surface.
- Accommodates Freeboard (Dock Surface to Water Level) height up to 36 inches.

Please read these instructions carefully before using this product and save this manual for future use.

For assistance, please call: 585 - 734 - 7374

Or send email to: info@DockCraft.com

DockCraft Industries LLCSM
3694 Nibawauka Beach
Canandaigua, New York 14424

Table of Contents

	Page
“The DockSider”™	
○ Safeguards	2
○ Warranty	3
○ Part List	3
○ Assembly Instructions	4
○ Dock Mount Installation	5
○ Installation- DS 400 and WS 400 Cradle Assembly	6
○ Setup	8
○ Operation	10

IMPORTANT SAFEGUARDS

1. **READ ALL INSTRUCTIONS BEFORE USING THE “The DockSider”™.**
2. The intended use of the product is to store a kayak or paddleboard on the side of a boat dock. Do not use this product for other than its intended use.
3. The maximum weight of Kayak or paddleboard to be racked in “The DockSider”™ shall not exceed 100 pounds.
4. “The DockSider”™ is not intended for Salt Water applications; exception is the Stainless Steel model.
5. Kayaks **should not** contain more than one quarter inch (1/4”) of water inside when storing in the “The DockSider”™. Product Damage could result to the “The DockSider”™, if this is not followed the Warranty will be voided. If your Kayak contains excess amounts of water (capsized or other), roll kayak over to empty.
6. To ensure proper use, do not attempt to modify this product in any manner. Please refer to the manual if questions arise.
7. If further assistance is needed, please contact DockCraft Industries prior to use.
8. Do not allow children or adults to lean on, play on, around, or with the “The DockSider”™ while a Kayak or Paddleboard is loaded or unloaded. Serious injury or damage to product, docks, and people could result if this warning is not followed.
9. Store only one kayak per “The DockSider”™.
10. If the DockSider is not working properly, please contact DockCraft Industries immediately for assistance.
11. Do not enter or exit your Kayak / Paddleboard when your kayak is engaged within “The DockSider” ; in the loading or storage position.
12. Do not install your Kayak / Paddleboard Storage Rack such that “The DockSider” is near or in contact with any electrical or Dock Structural components.

Limited Warranty

What does your warranty cover?

- Any defect in materials or workmanship when used for the intended purpose of storing kayaks on the side of a boat dock under normal use and conditions.
- The warranty is limited to the original purchaser.

For how long after the original purchase?

- One year

What will we do?

- Provide you with a replacement part at no charge for any part found defective in materials or workmanship. **How**

do you make a warranty claim?

- Please contact DockCraft Industries for a Return Material Authorization (RMA) number before returning items. A shipping address will be provided at that time.

What does your warranty not cover?

- Damage from failures that occur as a result of improper assembly, failure to properly adjust and operate, misuse or neglect of product's intended purpose.
- Product which has been modified in any manner. •

Safeguards are not followed

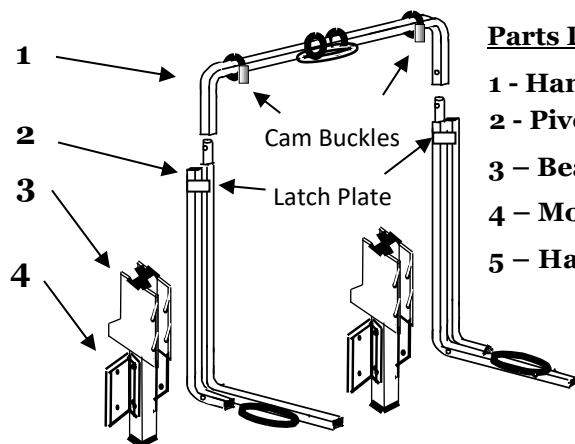
- The warranty is not valid if you are not the original purchaser.

"The DockSider"™ PARTS LIST - Dock Surface Mount Models; Series 400

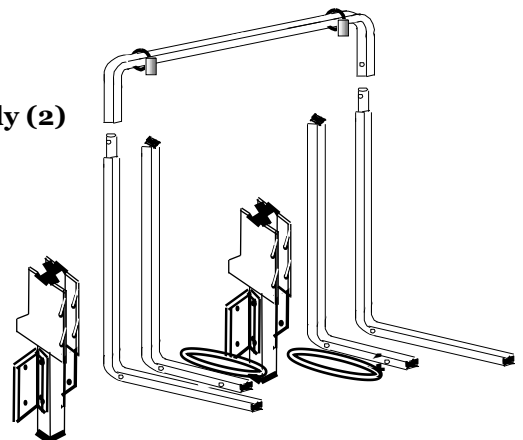
Remove all parts from the box and remove the dock mount from the pivot lateral by unwrapping the mini wrap.

If any parts are missing from the package (in type or quantity), do not assemble and contact DockCraft Industries immediately.

Model DS400 Dockside Operation



Model WS400 - Waterside Operation

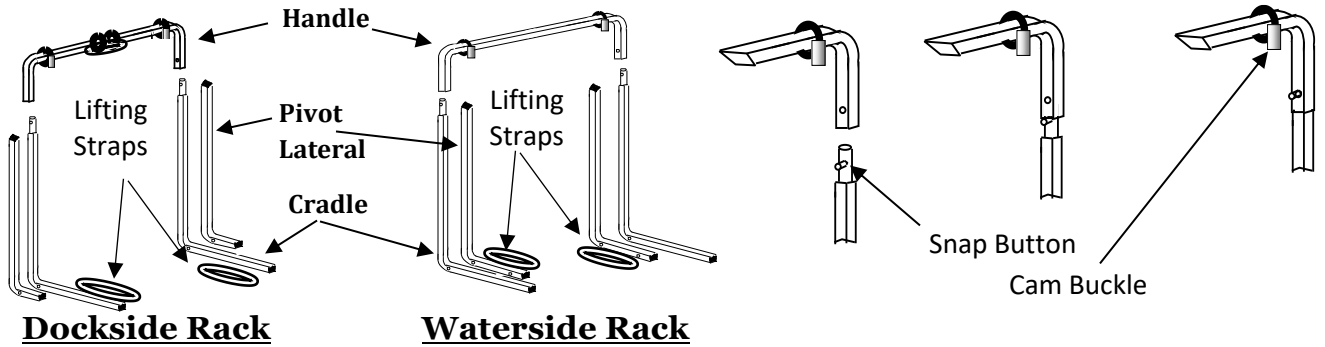


Assembly Instructions

Attach Cradle Handle :

- 1 - Position Handle over Cradle.
- 2 - Slide the Handle over extension on Cradle.
- 3 - Depress Snap Button on Cradle.
- 4 - Seat Handle until Snap Button pops through the Handle hole.
- 5 - Repeat process for the other Cradle.

Steps 1 – 4

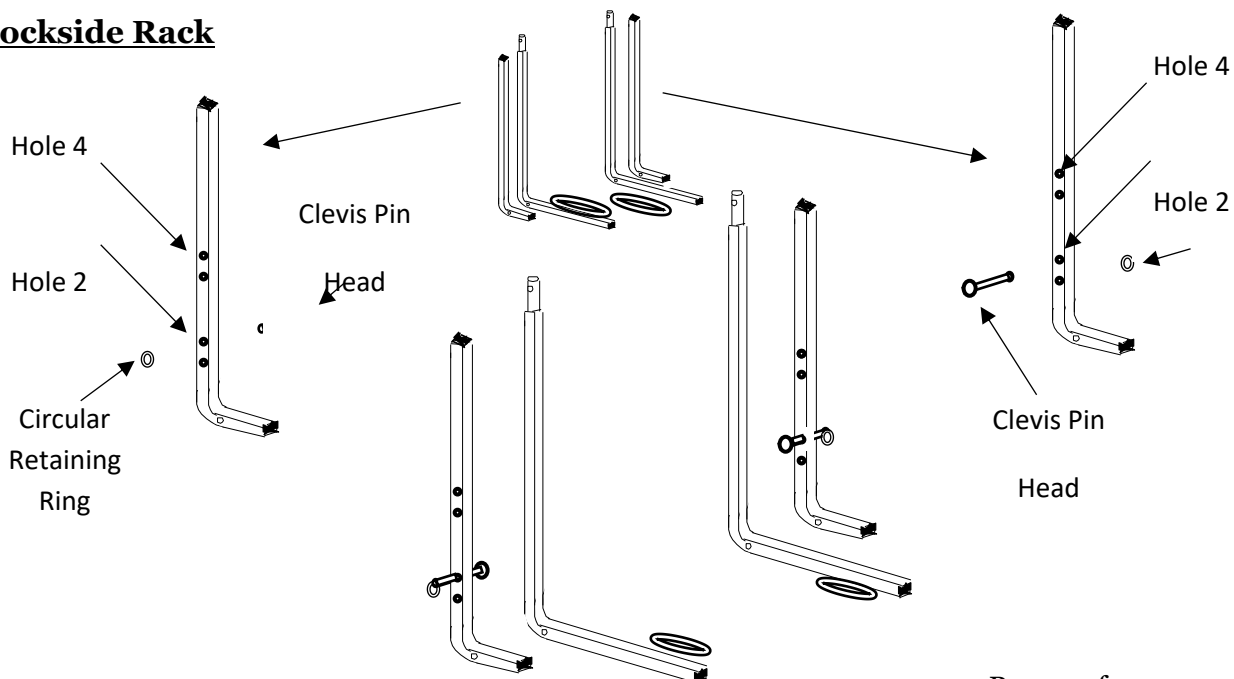


- Notes -** Lifting Straps are on the inside
Dockside Rack – Short Legs on the outside
Waterside Rack – Shorter Legs on the inside

Insert Clevis Pins and Circular Retaining Rings on Pivot Lateral:

- 6 – If the Water Level is 10 to 25 inches below your Dock Decking -
Insert Clevis Pin through Hole 2 in Pivot Lateral such that the head is between the Pivot Lateral and Cradle, attach circular retaining ring through the hole in the end of the clevis pin.
- 7 – If the Water Level is 25 inches or greater from the Dock Decking –
Insert Clevis Pin through Hole 4 in Pivot Lateral such that the head is between the Pivot Lateral and Cradle, attach circular retaining ring through the hole in the end of the clevis pin

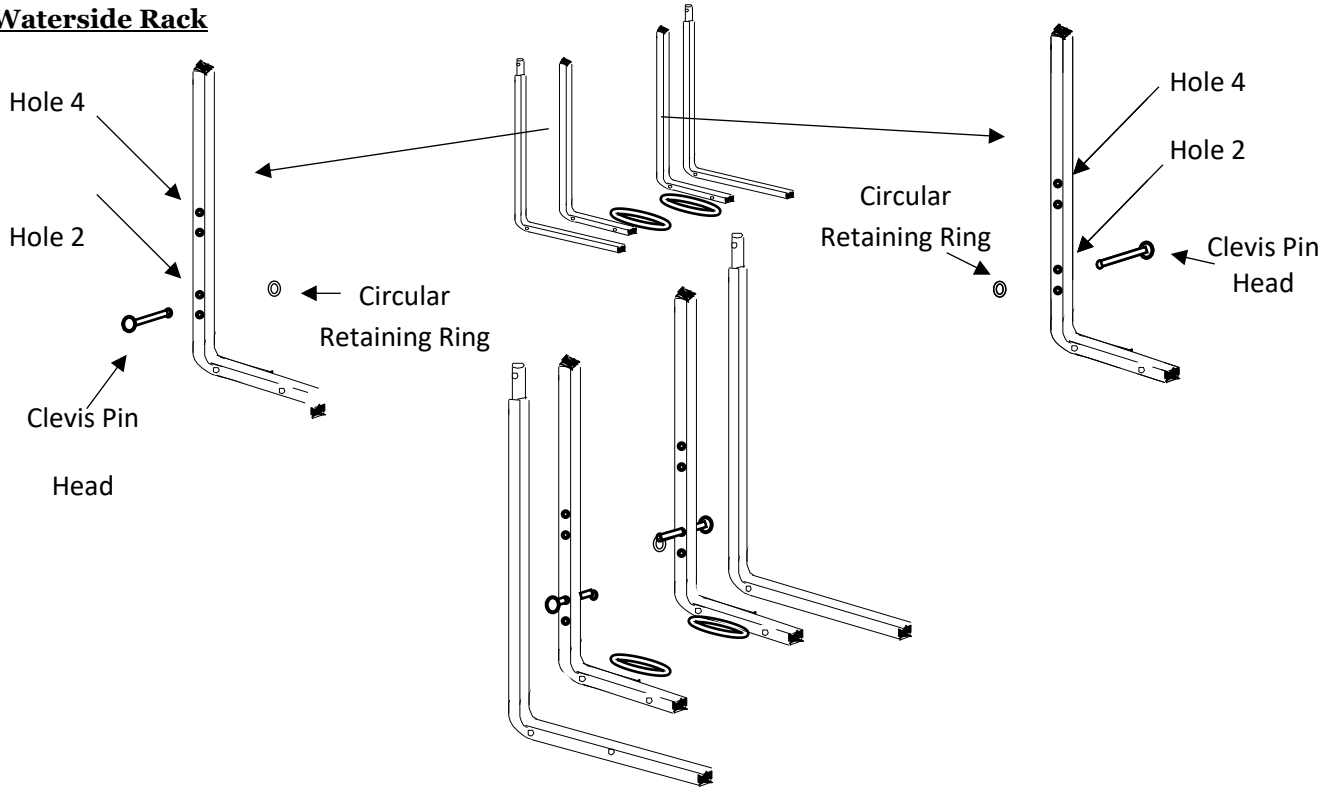
Dockside Rack



Assembly Instructions – continued

Insert Clevis Pins to set height of rack from water – continued

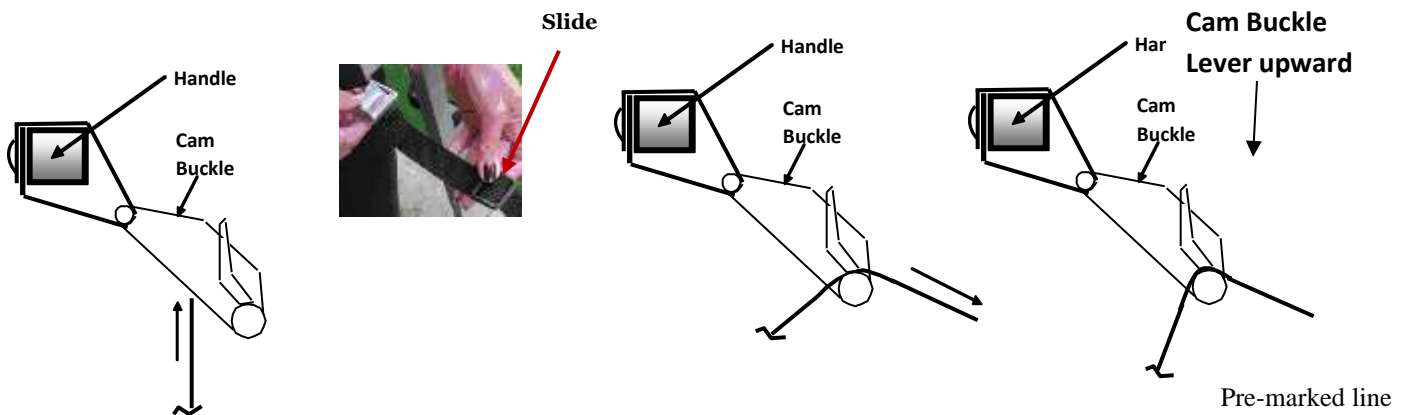
Waterside Rack



Thread Webbing through Cam Buckle :

- 8 - Obtain one of the Cam Buckles and Depress Lever
- 9 - Thread Webbing through opening in the Cam Buckle
Ensure the Single Bar on the Web Keeper is positioned as shown. **Facing up and the webbing is not twisted.**
- 9 - Pull webbing through the Cam Buckle until the pre-marked line is in position with the cam buckle.
- 10 - Repeat Steps 6 - 8 to thread the webbing through the other Cam Buckle

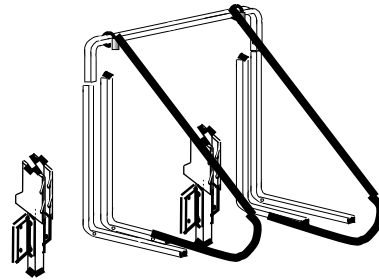
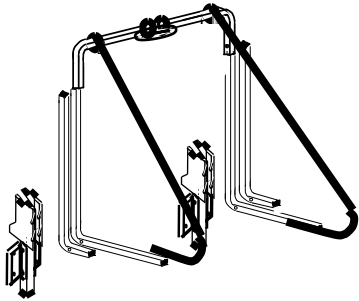
Steps 8 - 10



Completed Assemblies

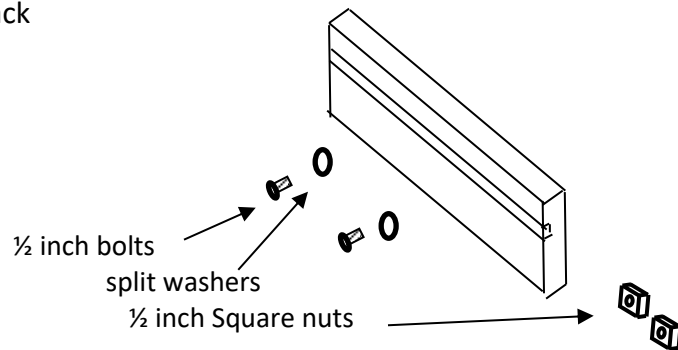
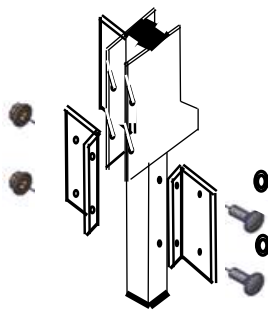
Dockside Operation Model – DS400

Waterside Operation Model – WS400



Beach King Mount Installation

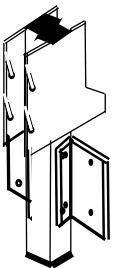
With the Purchase the Series 400 Beach King Mount
With your Lift and Dock Storage Rack



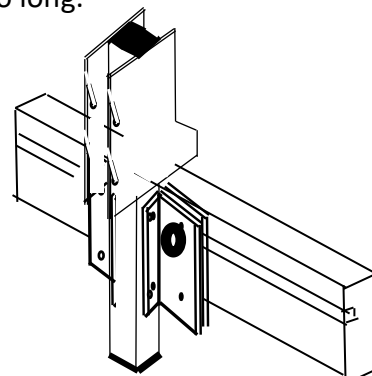
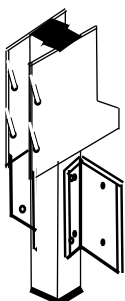
You get the Mount, Mounting Angles, and Hardware
Qty 2 sets

You have the Beach King Dock
With the Adapter Track

With the hardware provided (1/4 – 20 Screws and Flange Nuts) mount the mounting angles to the Mount.

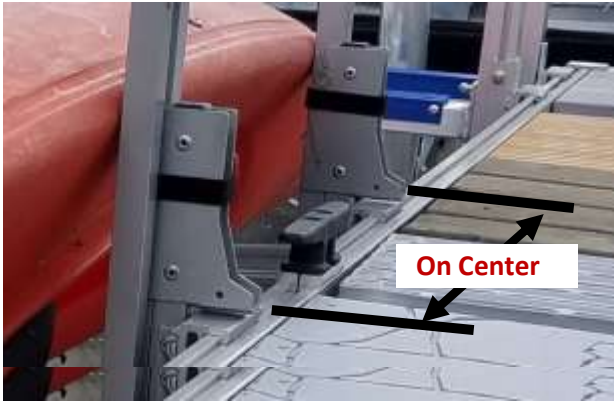


Then attach the mount from above to the Beach King Dock by sliding the 1/2 nuts into the adapter track.
Align the mount with the nuts, then screw the screws into the nuts in the adapter track, DO NOT
TIGHTEN. Use the split washers as required if the screws are too long.



Beach King Mount installation - continues

Adjust the two mounts per the dimensions below, then tighten to secure



When mounted, the distance between mounts should be,

- Dockside Unit - 32 inches apart (center to center)

- Waterside Unit - 26 ½ inches apart (center to center)

Installation Procedure for Your - Series 100 Docksider

Kayak Storage Rack to Water Level Adjustment:

Now that the Mounts are in place; Mount the Cradle Assembly to them.

If the distance to the water from the dock decking is:

10 to 22 inches: insert clevis pin in the 2nd hole of the pivot lateral into the top Slot of the mounting bracket.

17 to 29 inches: insert clevis pin in the 2nd hole of the pivot lateral into the bottom Slot of the mounting bracket

20 to 31 inches: insert clevis pin in the 4th hole of the pivot lateral into the top Slot of the mounting bracket

25 to 37 inches: insert clevis pin in 4th hole of the pivot lateral into the bottom Slot of the mounting bracket

Adjust if required - up or down - based on your specific watercraft or if your water level changes significantly throughout the season.

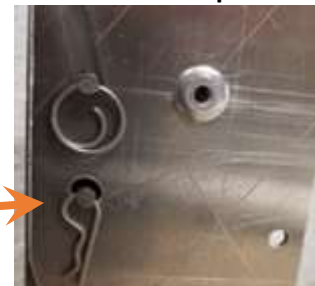
Water Level adjustment – continued

To “Lock” the Brackets and Pivot Laterals together insert “Locking Pin” on both sides of unit.

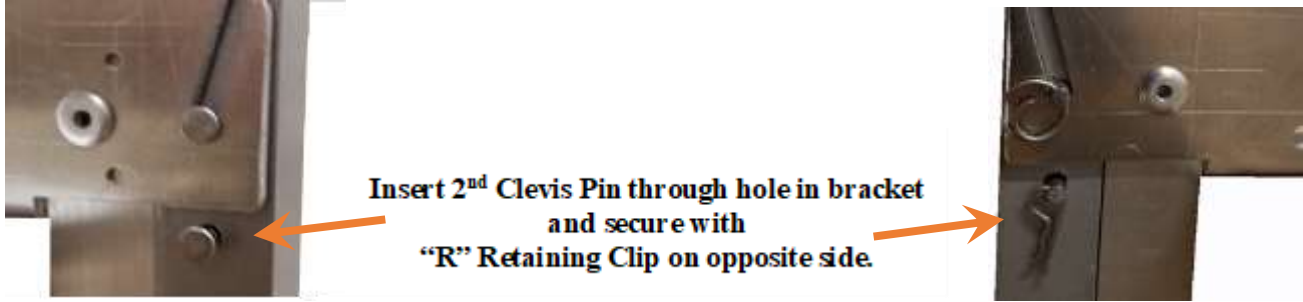
If Clevis Pin with Circular Retaining Ring in Hole 2 or 4 of Pivot Lateral is seated in the Top Slot.



Insert 2nd Clevis Pin through hole in bracket and secure with

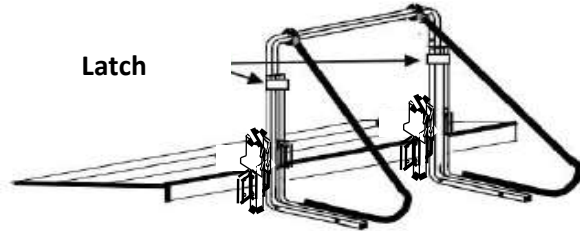


If Clevis Pin with Circular Retaining Ring in Hole 2 or 4 of Pivot Lateral is seated in the Bottom Slot



Rotate the Latch Plates to secure in Storage Position

The Installation is Complete



SETUP of “The DockSider”™

Now that the installation is complete, it is now time to SETUP your Kayak Rack to “fit” your Kayak.

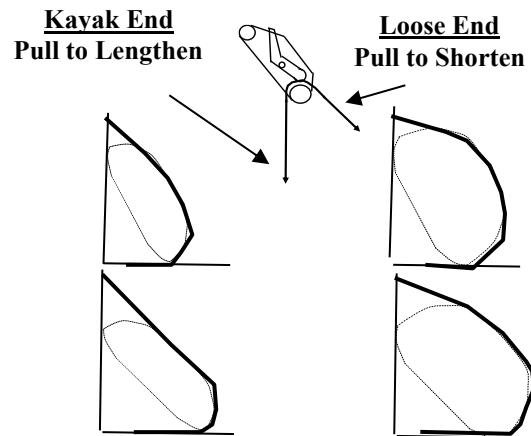
Webbing Length Adjustment :

As a result of the assembly procedure, the mark on the webbing should be located at the cam buckle.

This setting is a nominal setting for kayaks with a width of 27 to 29 inches. Based on the width and contour of your kayak, this setting may vary. When loading, with the kayak in the water, the handle should be a couple of inches above the outside edge of the kayak.

This setting is for 2 purposes:

- 1 - To accommodate the size and contour of your Kayak
- 2 - To allow your Kayak to sit at an angle to minimize rain entering the Kayak and therefore collect in the cockpit



3 - Load your Kayak into your rack and rotate to the Kayak Storage Position by:

a: Rotating the Cradle toward the water such that the handle is parallel with the water.

With the Dockside Operation model do this using the tether strap.

With the Waterside Operation model do this by standing in the water centering yourself to the rack, grasping the handle and rotating toward you.

b: Floating your kayak into the rack (between the handle and the webbing) such that the front of the cockpit seat is centered in the cradle. For tandem kayaks, float your kayak in such that it is centered between the handle.

The goal is to have the center of gravity centered between the arms of the handle / cradle.

c: Lift your kayak just out of the water.

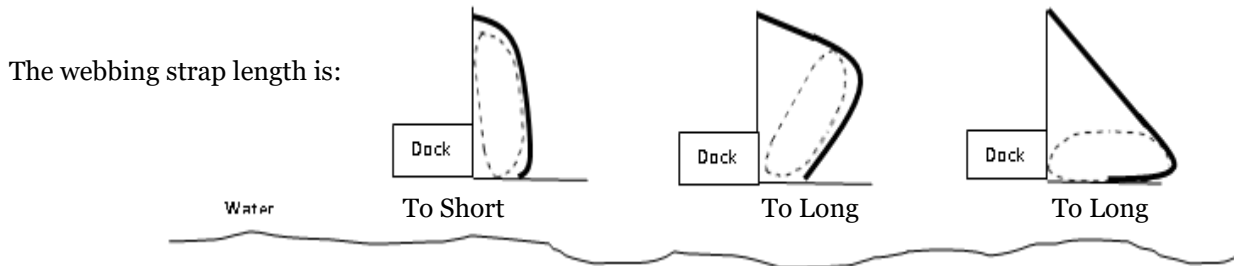
SETUP of "The DockSider"™ continued

If your kayak wants to lean to the right or left, check the straps to see if there is an excessive amount of strap on the side that's leaning, if so shorten.

Also, you may want to adjust the position of the kayak in the rack. If the lean is to the left, reposition the kayak slightly to the right to have the center of gravity positioned between the straps. Reposition the kayak to the left if the lean is to the right. By holding the handle with both hands, you can "Feel" if there is more weight on one side versus the other. Remember this positioning for normal operation.

- d: Grasp the center of the cradle or use tether strap and SLOWLY rotate the handle to the Cradle / Kayak storage position. Rotate SLOWLY, to understand the "feel" of the lift when your kayak rotates toward the Dock. As the Kayak starts to rotate, grasp the top of your Kayak and guide to its storage position. On the Dockside Operation model, rotate Latch Plates (both sides) into position to maintain the position of the Kayak and Rack.

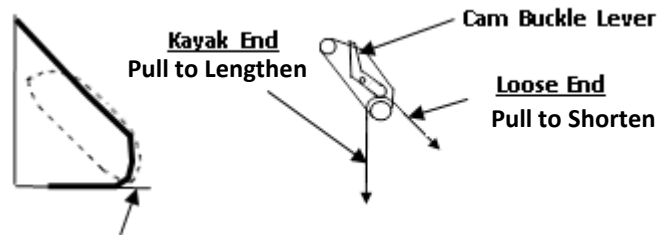
If your Kayak in it's storage position looks like :



Note: If the dock surface to water height is between 10 and 15 inches, the figure above on the left maybe the best that can be achieved with the contour of your kayak.

To adjust the Length of the webbing straps:
Depress Cam Buckle lever and pull in the direction shown

The ideal storage position should look like:



Never adjust such that the bottom of your Kayak is closer than 2 inches to the end of the cradle.

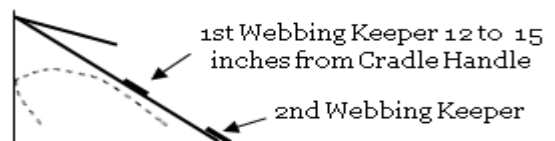
Note: the closer the kayak is to the end of the cradle, the greater the reach of operation.

Suggestion: If the Webbing length is to short, lengthen significantly.

Manually, position your kayak in the storage position at the desired angle, and then tighten straps by shortening.

Now that the webbing length is set, Secure Loose end of webbing length as follows:

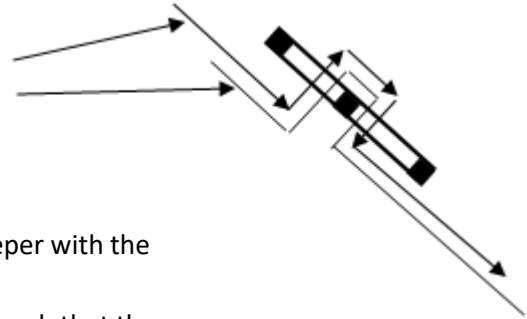
Position the 1st Webbing Keeper approximately 12 to 15 inches down from the cradle handle; on each web strap.



Secure Loose end of webbing length as follows: continued

Thread the loose end of webbing through Webbing Keeper (each side of unit)

Cam Buckle Loose End of Webbing
Cam Buckle Kayak End of Webbing



Note:

It is much easier to thread the webbing through the webbing keeper with the Kayak out of the Kayak Rack.

Reposition the 2nd webbing keeper and thread, similar to above, such that there is 1 to 3 inches of webbing extended beyond the webbing keeper after threading.

Reload your Kayak, and rotate your kayak into its storage position.

You may place your Paddle in the loop between the handle and the 1st webbing keeper.

The Setup is now Complete.

Operating Instructions

Dockside Operating Models

- 1 - Before unloading, check to Ensure that there are no objects or people in the path of the kayak when rotated toward the water.
- 2 - Standing on the Dock, grasp the tether cord in one hand and then grasp the center of the handle.
- 3 - Rotate the Latch Plates on both Pivot Laterals 90 degrees counterclockwise. Note: Securely hold the handle as the Latch Plates are rotated out of the way, the weight of the Kayak will cause the Kayak Rack to want to rotate toward the water.
- 4 - Firmly holding the tether cord, slowly lower the kayak into the water, by releasing (hand over hand) the length of the tether cord until your kayak is in the water.
- 5 - Secure the end of the tether cord that is left in your hand around one of the pivot laterals such that you may float your kayak out of the rack.
- 6 - Float your kayak completely out of the rack and then pull on the tether cord, to lift the cradle back into the storage position.
- 7 - Rotate one of the Latch Plates back into its holding position such that the cradle will not rotate back into the water when released.
- 8 - Enter your Kayak ensuring you are clear of the rack, Grab your paddle and start your voyage.

Waterside Operating Models

- 1 - Use caution when lowering your kayak as your kayak will be rotating to the water toward you. Ensure you are physically fit to manage the weight of lowering your kayak and that there are not any obstacles in the water that would cause you to trip.
- 2 - Stand in the water and center yourself with the length of the kayak rack.
- 3 - Release the Latch Plates by rotating both 90 degrees clockwise.
- 4 - Grasp the center of the cradle handle with both hands and slowly lower your kayak into the water.
- 5 - Float your kayak completely out of the rack and rotate the cradle back into its storage position.
- 6 - Rotate one of the Latch Plates back into position such that the cradle will not Rotate back toward the water.
- 7 - Enter your kayak ensuring you are clear of the rack, grab your paddle and start your Voyage

Operating Instructions - continued

To Load and Store:

Dockside Operating Models

- 1 - Exit your kayak assuring you are clear of kayak rack.
- 2 - Release the Latch Plates and lower the cradle.
- 3 - Secure tether strap to the Pivot Lateral such that your float into your rack between the handle and the lifting webbing.
- 4 - Float your kayak into the rack and position
- 5 - Grasp the tether strap and slowly lift / rotate your and rack into its storage position.
- 6 - Grasp the handle of your rack, holding it in its position.
- 7 - Rotate the Latch Plates into position such that your kayak will not rotate back into the water.
- 8 - Release your hand from the cradle handle and secure the tether cord to a pivot lateral or the handle with a simple overhand knot.
- 9 - If you choose, store your paddle between the webbing under the cam buckle.

Waterside Operating Models

- 1 - Exit your kayak assuring you are clear of the the kayak rack.
- 2 - Release the Latch Plates and lower the cradle.
- 3 - Position the cradle such that your kayak kayak will will float into your rack between the handle and the lifting webbing
- 4 - Float your kayak into the rack and position
- 5 - Grasp the center of the handle and slowly kayak lift / rotate your kayak into its storage position.
- 6 - Rotate the Latch Plates into position such storage that your kayak does not accidentally rotate back into the water.
- 7 - Store your paddle between the webbing under the cam buckle.

You're DONE - just Load / Latch / and walk away!



WE SINCERLY HOPE YOU ENJOY THE CONVENIENCE OF

“The DockSider”™

For assistance, please call: 585 – 734 – 7374
Or send email to: info@DockCraft.com

DockCraft Industries LLC
3694 Nibawauka Beach
Canandaigua, New York 14424
www.DockCraft.com