

“The DockSider” Mounting Options

DockCraft Industries ShoreMaster Mount for “The DockSider”

- Kayak, SUP, and Canoe Lift and Dock Storage Rack –

An additional mounting option for ShoreMaster Infinity Docks

Infinity RS4 and the Infinity RS7 Sectional



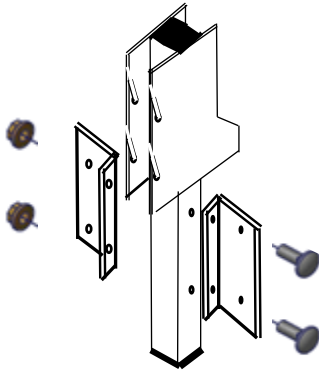
Kayak Stored in the DockSider on a ShoreMaster Dock



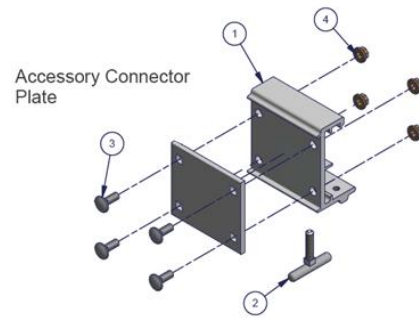
A View of the DockSider ShoreMaster Mount

With the Purchase the Series 300 ShoreMaster Mount
With your Lift and Dock Storage Rack

You also have to purchase the ShoreMaster
Connector (Qty 2) from you ShoreMaster Dealer

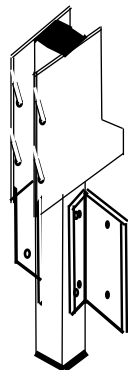


You get the mount, mounting angles and Hardware
Qty 2 sets



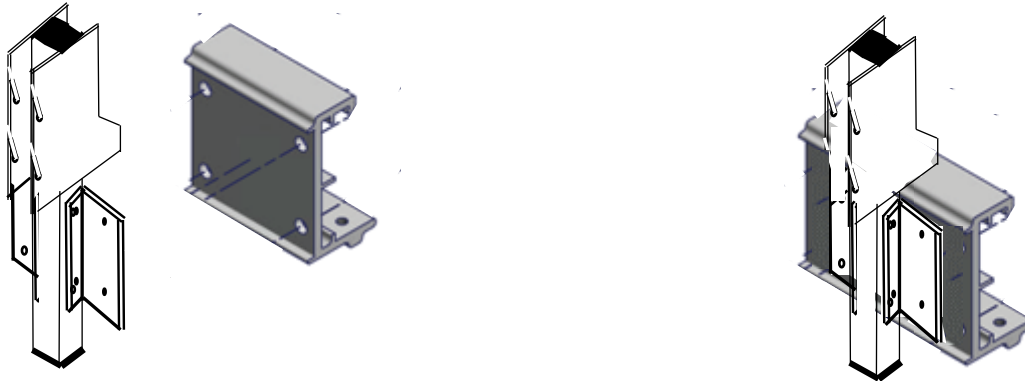
You get, the Connector, Connector Plate and Hardware

With the hardware provided (1/4 – 20 Screws and Flange Nuts) mount the mounting angles to the Mount.



Then attach the mount from above to the RS 4 or 7 (depending on your Infinity Dock) to the RSx – Accessory Bracket with the hardware provided (3/8 Carriage Bolts and Flange nuts) that is included with the Accessory Connector purchased from your ShoreMaster Dealer.

Note: The Accessory Plate included in the Accessory Connector package purchase is not required.



Once the mounts (qty. 2) are assembled, you are ready to mount to your dock.

Mounting illustration does not show the mounts attached to the Connector.



Pivot the top lip of the Accessory Connector Bracket assembly into the Groove on the top of the dock frame - as shown.

Once the Accessory Connector Bracket assembly is in the desired place, tighten the 2 1/2 - 3/8 x 1 1/2 T-Handle - as shown.

Note: Be sure to avoid the access holes on the bottom of the dock frame when tightening the T – Handle

For reference:

When the two dock mounts are mounted, They should be:

- 32 inches apart (center to center) for the Dockside unit, and
- 26 1/2 inches apart (center to center) when mounting the Waterside unit

